

# HANDLES

RANGE



## HANDLES

The Hydreco Hydraulics handles are available for fitting either to Hydreco Hydraulics pilot valves or other types of devices. The handles can also be used as stand alone device in many applications.

The selected materials suit both indoor and outdoor environments and are reliable, strong and suitable for heavy duty applications. Wide range of knobs and straight lever are available with different options, integrating switches and push buttons. Ergonomical MFE, EXM, MFE2 and MHC handles offer multifunction and bespoke solutions for the most demanding applications; they can be equipped with a wide range of controls: rocker switch, proportional roller, minijoystick, latched or momentary push buttons, toggle switch, four way switch etc.

The ergonomic handles are available for both left and right operation selecting the proper tilting option. MFE2 Handle is ready for standalone applications, integrating a specific electronic board for CAN Bus feature. Different circuit arrangements can be accommodated within the handle and the wiring can be designed as per customer's specifications.

Our engineers can offer special support to meet customer's requirements.

## BENEFITS

- Many configurations available for knobs and straight handles suitable for both single and dual axis control
- Extensive range of electrical switch and button options
- All handles suitable to both Hydreco Hydraulics and other manufacturers equipments
- Spare parts available for maintenance
- Configurable for right and left hand operation
- Suitable to many environmental conditions
- High durability, low maintenance
- Standard operator presence switch or capacitive operator presence function available

Hydreco Hydraulics reserves the right to update the information and data contained in this catalogue at any time without notice

## KNOB AND STRAIGHT - MODEL CODING

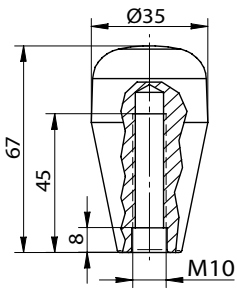
## K- KNOB SERIES

<b>KB</b>	=	Duroplast knob
<b>KC</b>	=	Technopolymer knob
<b>KD</b>	=	Duroplast knob with switch
<b>KK</b>	=	Duroplast knob with rubber cap
<b>KP</b>	=	Duroplast spherical knob
<b>KW</b>	=	Duroplast knob with switch

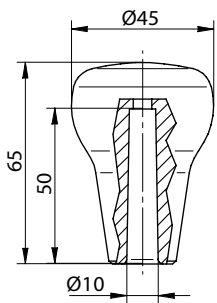
## S- STRAIGHT SERIES

<b>SA</b>	=	Handle without electric switch
<b>SD</b>	=	Handle with electric switch
<b>SS</b>	=	Handles with electric switch to close and safety button
<b>SX</b>	=	Handle with electric switch to close
<b>SY</b>	=	Handle with electric switch dual rocker type
<b>SZ</b>	=	Handle with 2 or 3 positions latched rocker

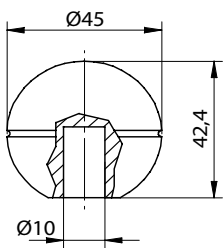
**KB - DUROPLAST KNOB**



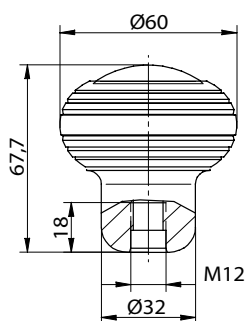
**KC - TECHNOPOLYMER KNOB**



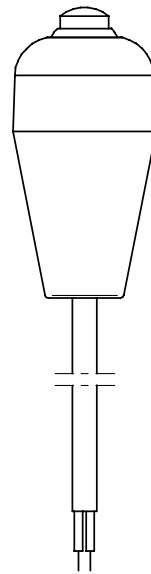
**KP - DUROPLAST SPHERICAL KNOB**



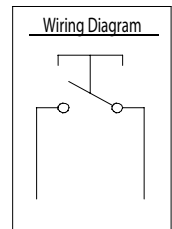
**KK - DUROPLAST KNOB WITH RUBBER CAP**



**KD - DUROPLAST KNOB WITH SWITCH**

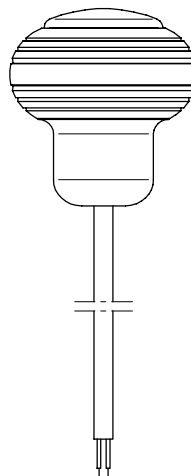


Rating current: 5A@28VDC  
 resistive load  
 Electrical life: 25,000 cycles  
 Mechanical life: 10<sup>6</sup> cycles

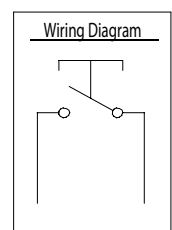


For installation dimensions see *Knob KB*

**KW - DUROPLAST KNOB WITH SWITCH**

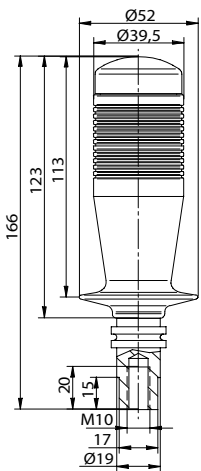


Rating current: 6A@250VAC  
 Mechanical life: 10<sup>7</sup> cycles

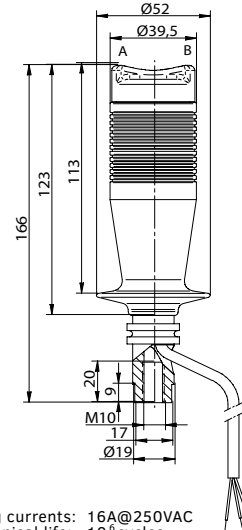


For installation dimensions see *Knob KK*

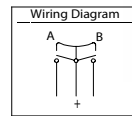
SA - WITHOUT SWITCH



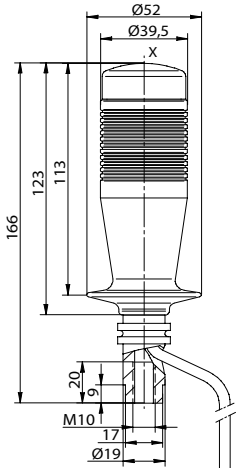
SY - WITH ONE MOMENTARY 3 POSITION ROCKER



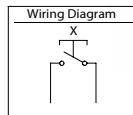
Rating currents: 16A@250VAC  
Mechanical life: 10<sup>6</sup> cycles  
Electrical life: 5x10<sup>4</sup> cycles



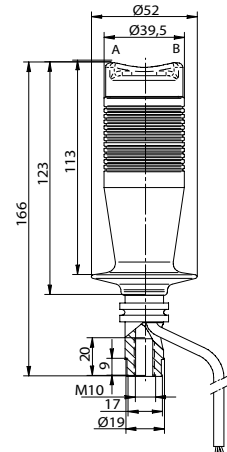
SX - WITH ONE SWITCH ON THE TOP



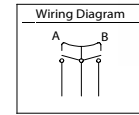
Rating currents: 16A@250VAC  
Mechanical life: 10<sup>6</sup> cycles  
Electrical life: 5x10<sup>4</sup> cycles



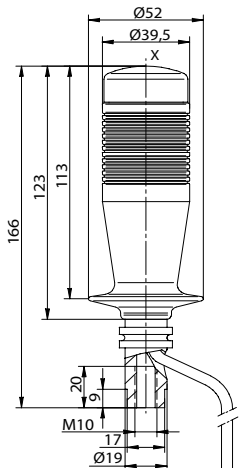
SZ3 - WITH 3 LATCHED Pos. | SZ2 - WITH 2 LATCHED Pos.



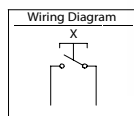
Rating currents: 16A@28VDC  
Mechanical life: 10<sup>6</sup> cycles  
Electrical life: 25x10<sup>4</sup> cycles



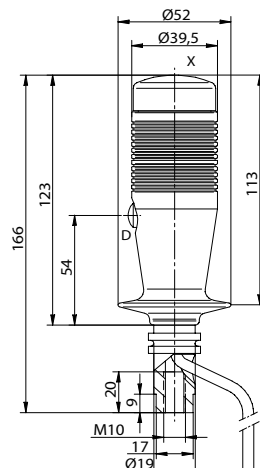
SS - WITH ONE SWITCH ON THE TOP WITH SAFETY CAGE



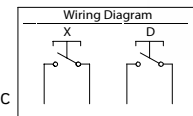
Rating currents: 16A@250VAC  
Mechanical life: 10<sup>6</sup> cycles  
Electrical life: 5x10<sup>4</sup> cycles



SD - WITH ONE SWITCH ON THE TOP AND ONE ON THE SIDE



Rating currents: 16A@250VAC/5A@28VDC  
Mechanical life: 10<sup>6</sup> cycles  
Electrical life: 2x10<sup>4</sup>/25x10<sup>3</sup> cycles



MFE - MODEL CODING

MFE - [ ] - [ ] - [ ] - [ ] [ ] [ ] [ ] - [ ]

**MODEL**  
MFE Multifunction Ergonomic

**PUSH BUTTON SWITCH OPTION** See page 5

- A Plastic push button with micro-switches
- C Push button with micro-switches
- E Sealed push button with micro-switches

**PUSH BUTTON/SWITCH OPTION Pos. 1÷6** See page 5  
(Insert ID letter for each button/switch chosen on the following list and in progressive sequence from 1 up to position 6)

- X No button switch
- B Blue
- G Green
- R Red
- Y Yellow
- W White Only type C & E
- L Signaling led
- K Black Only type C
- A Grey Only type C
- V Purple Only type C
- O Orange Only type C

**PUSH BUTTON/SWITCH OPTION Pos. 8÷17** See page 8

For each push button/switch, insert ID position numbers and colours (see 1-6 position) and omit ones that are not required (i.e. 8R10G = red push button/switch in position 8 and green push button in position 10).

Note: push button/switch in position 13-14-15 are available only type C. Push button type A and B are not available in position 8.

**ROCKER SWITCH OPTION**  
\* Omit if not required

- TILTED OPTION** See page 9
- 0 Standard straight M10x1.5
  - 1 Tilted 15° forward
  - 2 Tilted 15° right (LH Handle)
  - 3 Tilted 15° left (RH Handle)
  - 4 Combined tilted forward and right (LH)
  - 5 Combined tilted forward and left (RH)
  - 6 With spherical joint, adjustable from 0° up to 20° in any direction
  - 7 Tilted 15° backward

- GAITER COLLAR** See page 8
- 0 Basic version without provision for protection boot
  - R With provision for round boot
  - S With provision for square boot

- WIRING TERMINATION**
- 0 Standard
  - 2 With connector (manufacturer and model number to be specified on order)

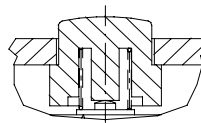
**OPERATOR PRESENCE BUTTON Pos.7** See page 5

- X Without operator presence
- T With operator presence
- TCAP1** Operator presence capacitive sensor

Example: MULTIFUNCTION ERGONOMIC HANDLE, PUSH BUTTON C, POS.1 BLUE BUTTON, POS.4 RED BUTTON, WITHOUT OPERATOR PRESENCE STANDARD TERMINALS, SQUARE BOOT, TILTED 15° FORWARD: **MFE-C-1BXXRXX-XOS1**

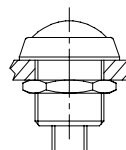
### A - PLASTIC PUSH BUTTON

Rating currents:	5A@30VDC resistive load
Input voltage range:	30 VDC
Electrical life:	10 <sup>4</sup> cycles
Mechanical life:	2x10 <sup>6</sup> cycles



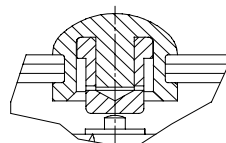
### C - ISOLATED PUSH BUTTON

Rating currents:	5A@28VDC resistive load
Electrical life:	25x10 <sup>3</sup> cycles
Mechanical life:	10 <sup>6</sup> cycles



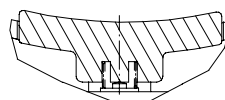
### E - SEALED SERVICEABLE PUSH BUTTON

Rating currents:	5A@30VDC resistive load
Input voltage range:	30 VDC
Electrical life:	10 <sup>4</sup> cycles
Mechanical life:	2x10 <sup>6</sup> cycles



### T - OPERATOR PRESENCE

Rating currents:	5A@30VDC resistive load
Input voltage range:	30 VDC
Electrical life:	10 <sup>4</sup> cycles
Mechanical life:	2x10 <sup>6</sup> cycles



### TCAP1 - OPERATOR PRESENCE CAPACITIVE SENSOR

Rating currents:	100mA
Input voltage range:	10-30 VDC
Electrical life:	3x10 <sup>6</sup> cycles

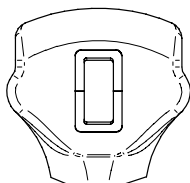


S - TYPE



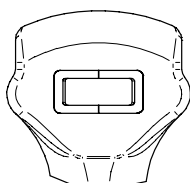
Rating currents: 16A@28VDC  
resistive load  
Mechanical life:  $10^5$  cycles  
Electrical life:  $25 \times 10^3$  cycles

VERTICAL MOUNTED



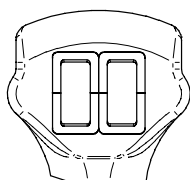
**S1B:** 3 positions momentary rocker  
**S2B:** 3 positions latched rocker  
  
**S5B:** 2 positions latched rocker  
**S3B:** 3 positions latched and momentary rocker

HORIZONTAL MOUNTED



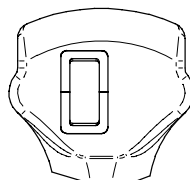
**S1A:** 3 positions momentary rocker  
**S2A:** 3 positions latched rocker  
  
**S5A:** 2 positions latched rocker  
**S3A:** 3 positions latched and momentary rocker

TWO VERTICAL MOUNTED



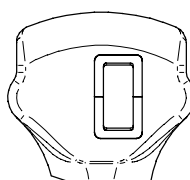
**S4A:** 3 positions momentary rocker  
**S4B:** 3 positions latched rocker  
  
**S5E:** 2 positions latched rocker  
**S3E:** 3 positions latched and momentary rocker

VERTICAL MOUNTED LEFT OFFSET



**S1C:** 3 positions momentary rocker  
**S2C:** 3 positions latched rocker  
  
**S5C:** 2 positions latched rocker  
**S3C:** 3 positions latched and momentary rocker

VERTICAL MOUNTED RIGHT OFFSET



**S1D:** 3 positions momentary rocker  
**S2D:** 3 positions latched rocker  
  
**S5D:** 2 positions latched rocker  
**S3D:** 3 positions latched and momentary rocker

**D - 4 WAY ON-OFF SWITCH**

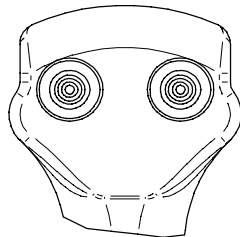


Rating current: 1A@28VDC inductive  
Electrical life: 10<sup>5</sup> Cycles

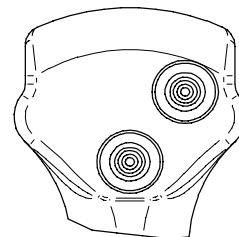
**DLDRDB - 3 SWITCHES**



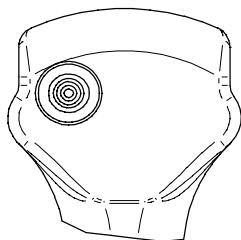
**DLDR - 2 SWITCHES TOP**



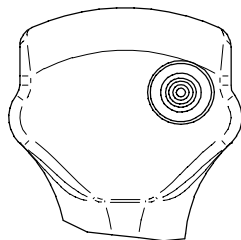
**DRDB - 2 SWITCHES RIGHT**



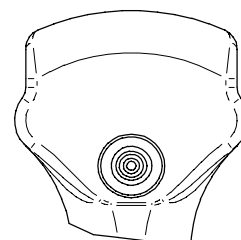
**DL - 1 SWITCH LEFT**



**DR - 1 SWITCH RIGHT**



**DB - 1 SWITCH CENTER**

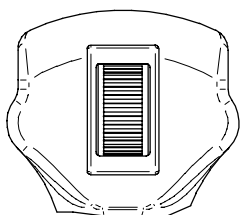


**HYRP - PROPORTIONAL ROLLER**

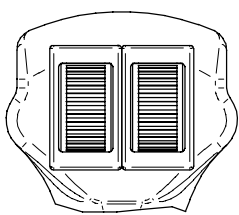


Supply voltage: 5 VDC  
Output signal: 0,5-4,5 VDC with 2,5V in neutral position  
Mechanical life: 3x10<sup>6</sup> Cycles

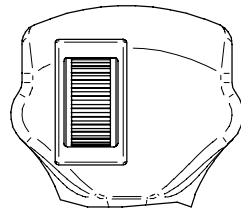
**RP - ONE CENTERED**



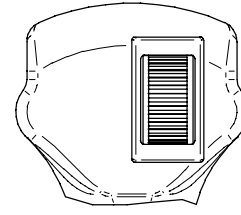
**2RP - TWO CENTERED**



**RPS - ONE LEFT OFFSET**

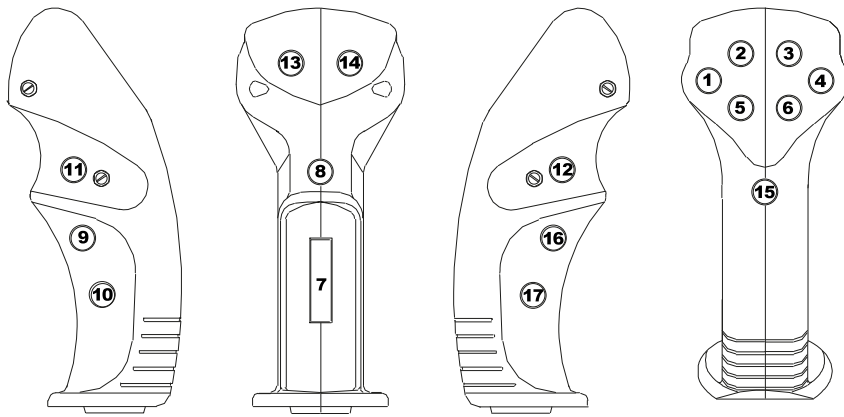


**RPD - ONE RIGHT OFFSET**

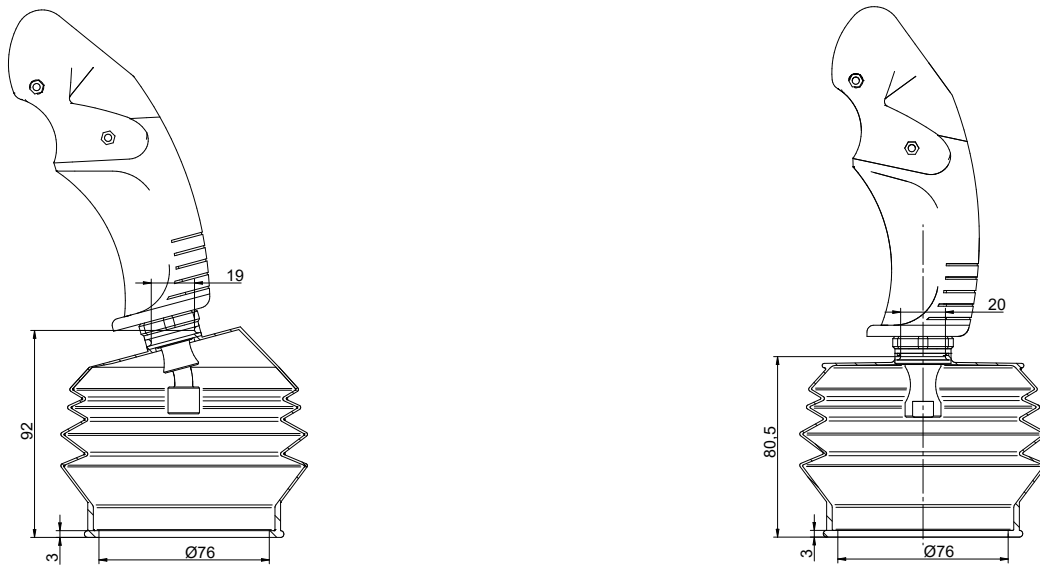




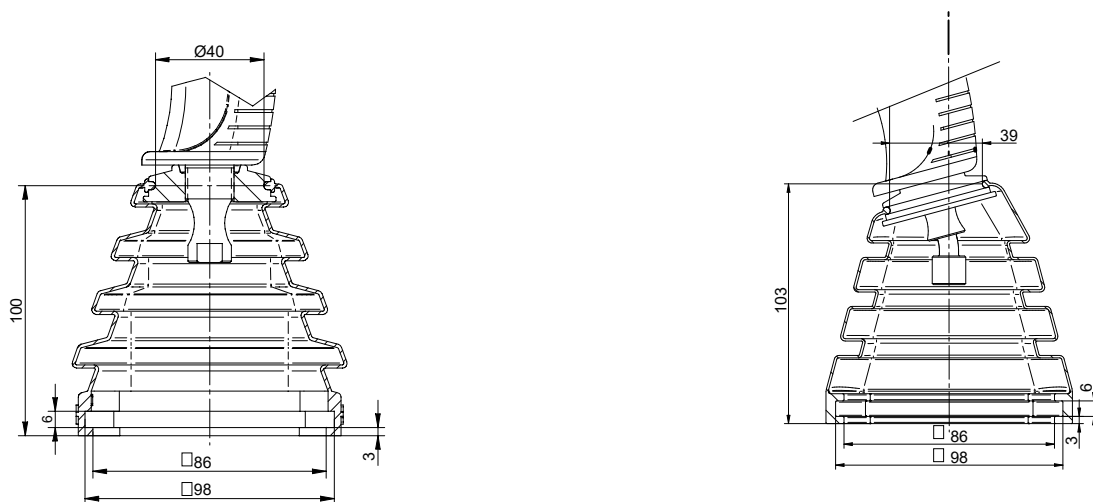
**MFE**



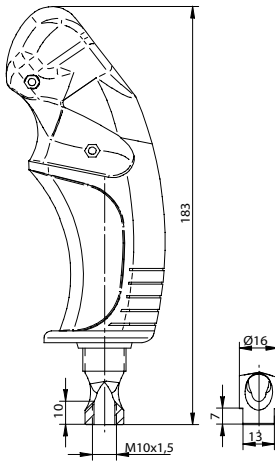
**R - ROUND PROTECTION BOOT**



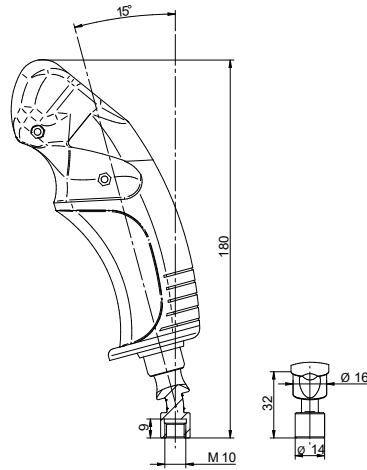
**S - SQUARE PROTECTION BOOT**



0 - STANDARD STRAIGHT

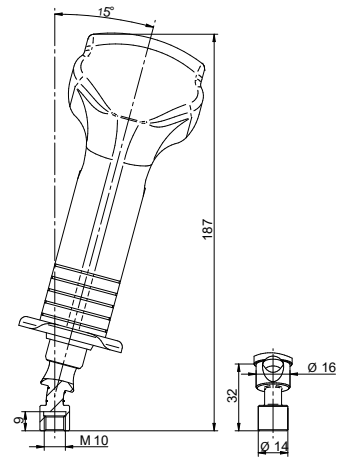


1 - TILTED 15° FORWARD



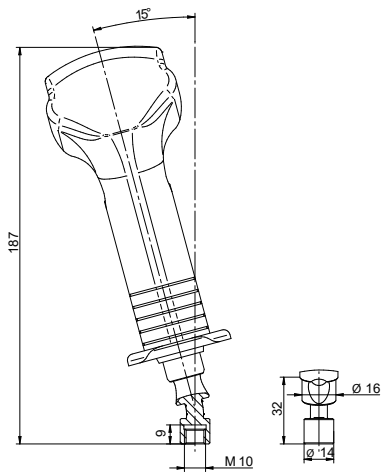
2 - TILTED 15° RIGHT

LH Handle



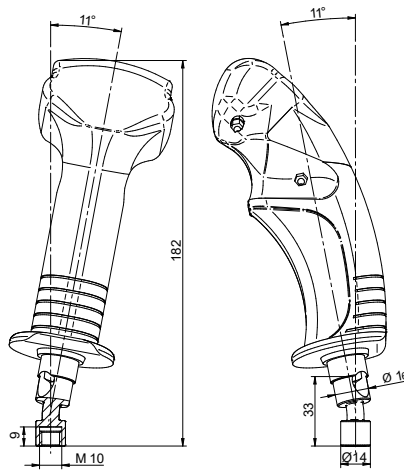
3 - TILTED 15° LEFT

RH Handle



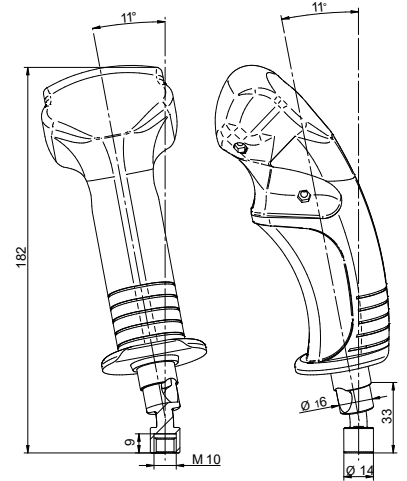
4 - COMBINED TILTED FRW & RIGHT

LH Handle

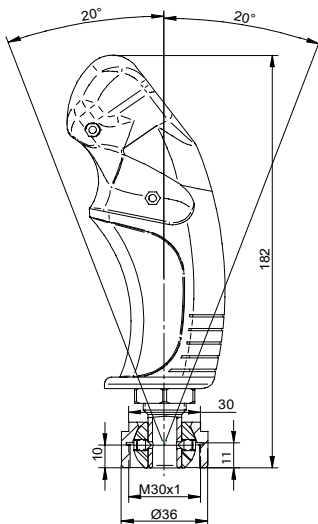


5 - COMBINED TILTED FRW & LEFT

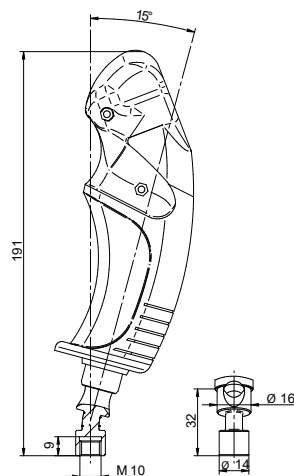
RH Handle



6 - WITH SPHERICAL JOINT



7 - TILTED 15° BACKWARD



**MFE2 - MODEL CODING**

**MFE2 -** [ ] - [ ] - [ ] [ ] [ ]

**MODEL** \_\_\_\_\_  
**MFE** Multifunction Ergonomic Handle 2

**PUSH BUTTON / SWITCH Pos. 1÷18** See page 11 \_\_\_\_\_  
 (For each control selected, insert position number and ID letter chosen on the following list. Note: #=color code. Example: for a push button blue in position 2 and a mini joystick in position 5, type 2B 5J)

- X** No button switch
- B** Blue push button
- K** Black push button
- G** Green push button
- O** Orange push button
- #L** Latched button with led
- D** Four way switch
- TS** Toggle switch
- Y** Yellow push button
- A** Grey push button
- R** Red push button
- W** White push button
- L#** Signalling led
- #M** Momentary button with led
- J** Four way mini joystick
- V** Purple push button

- ROCKER SWITCH OR ROLLER Pos. A÷L** See page 11 \_\_\_\_\_
- GR1** R1 Rocker in position G (See page 12) First letter = position, other 2 letters = control type, repeat if necessary
  - RL** Proportional roller with lever
  - R1** Latched rocker switch 3 positions
  - R2** Latched rocker switch 2 positions
  - R3** Momentary rocker switch 3 positions

- TILTED OPTION** See page 13
- Standard straight M10x1.5
  - S2** Tilted 15° right (LH Handle)
  - S3** Tilted 15° left (RH Handle)

- WIRING TERMINATION**
- 0** Flying leads
  - 2** With connector (Manufacturer and model number to be specified on order)

- OPERATOR PRESENCE BUTTON** See page 5
- X** Without operator presence
  - T** With standard operator presence
  - TCAP1** Operator presence capacitive sensor

Example: MULTIFUNCTION ERGONOMIC HANDLE 2, POSITION 1 BLUE BUTTON, POSITION 4 GREEN BUTTON, POSITION 5 RED BUTTON, POSITION 8 FOUR WAY SWITCH, POSITION E PROPORTIONAL ROLLER WITH LEVER, STANDARD OPERATOR PRESENCE, FLYING LEADS:  
**MFE2-1B4G5R8D-ERL-T0**

\*\* For special configuration, please contact Hydreco Hydraulics

#### PUSH BUTTON TYPE C

**Rating currents:** 5A@28VDC resistive load  
**Electrical life:** 25,000 cycles  
**Mechanical life:**  $10^6$  cycles



#### PROPORTIONAL ROLLER

**Supply voltage:** 5 VDC  
**Output signal:** 0,5-4,5 VDC with 2,5V in neutral position  
**Mechanical life:**  $3 \times 10^6$  cycles



#### ROCKER SWITCH

**Rating currents:** 16A@28VDC resistive load  
**Mechanical life:**  $10^5$  cycles  
**Electrical life:**  $25 \times 10^3$  cycles



#### FOUR WAYS SWITCH

**Rating currents:** 1A@28VDC inductive  
**Electrical life:**  $10^5$  cycles



#### SIGNALING LED

**Color available:** White, Red, Yellow, Green, Blue  
**Supply voltage:** 12 or 24 VDC  
**Mounted:** On panel with support



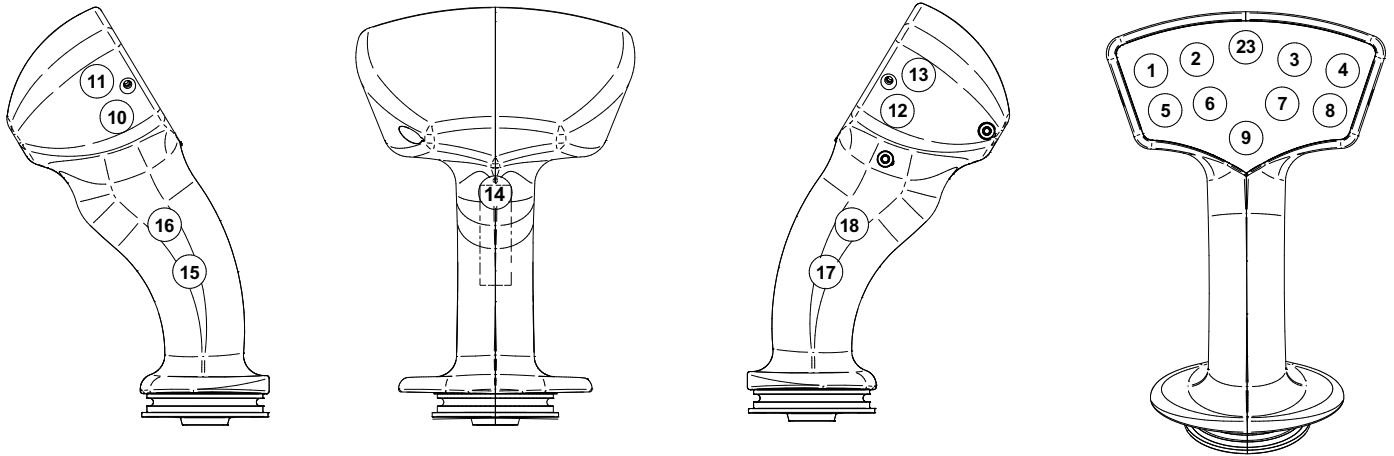
#### FOUR WAY PROPORTIONAL MINI-JOYSTICK

**Supply voltage:** 5 VDC  
**Output voltage:** 0.5-4.5 V with 2.5 V in neutral, for each axis  
**Mechanical life:**  $10^6$  cycles



Note: Other controls available on request.

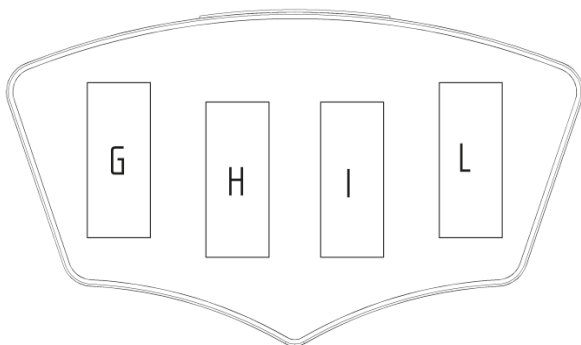
**MFE2**



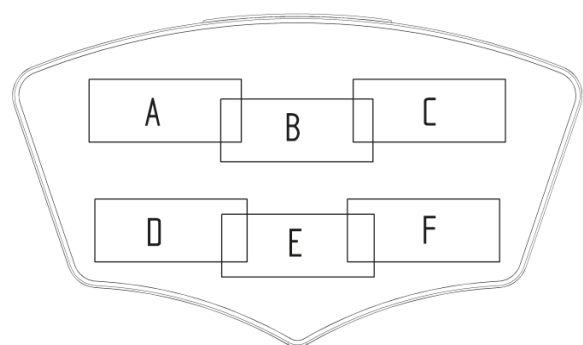
In case standard operator presence is required, push buttons in position n.14, 15, 16, 17, 18 cannot be added.

**POSITIONS FOR CONTROLS**

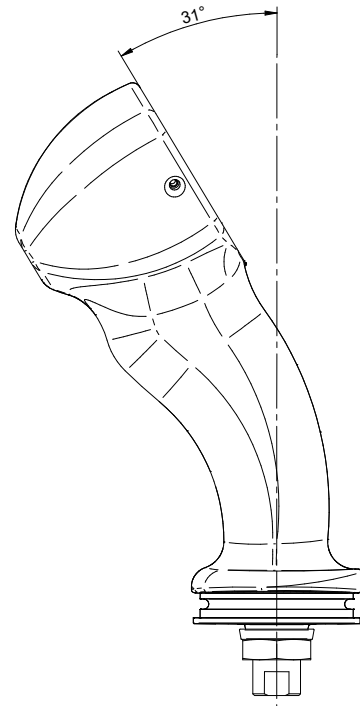
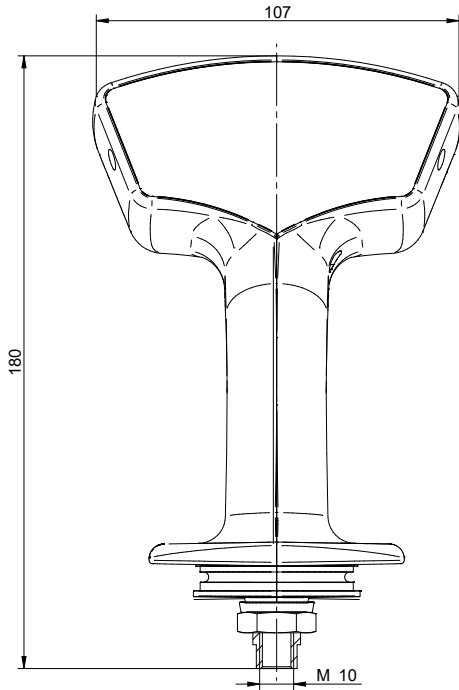
Standard positions for rocker and proportional roller, vertical mounted



Standard positions for rocker and proportional roller, horizontal mounted

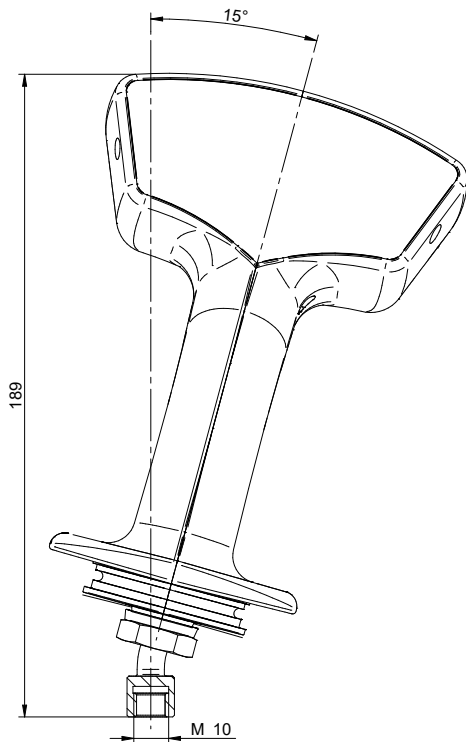


**0 - STANDARD STRAIGHT**



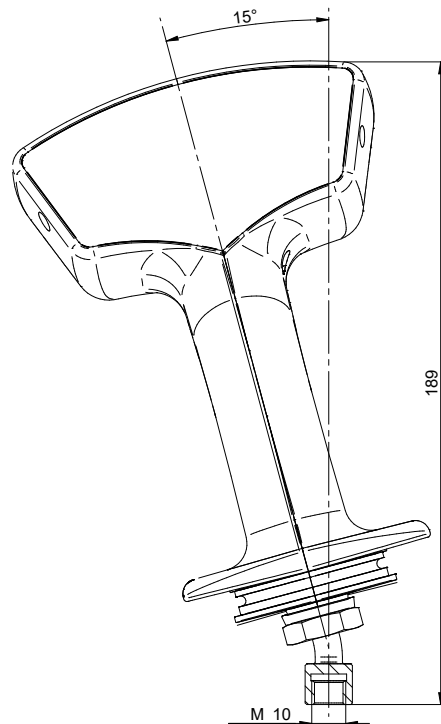
**S2 - TILTED 15° RIGHT**

LH Handle



**S3 - TILTED 15° LEFT**

RH Handle



**MHC - MODEL CODING**

**MHC** - [ ] - [ ] - [ ] - [ ] - [ ]

**MODEL** \_\_\_\_\_  
**MHC** Multifunction Handle Control

**PUSH BUTTON / SWITCH Pos. 1÷11** See page 16 \_\_\_\_\_  
 (For each control selected, insert position number and ID letter chosen on the following list. Note: #=color code. Example: for a push button blue in position 2 and a green push button in position 3 type: **2B3G**)

- X** No button switch
- B** Blue push button
- K** Black push button
- G** Green push button
- O** Orange push button
- #L** Latched button with led
- D** Four way switch
- TS** Toggle switch
- Y** Yellow push button
- A** Grey push button
- R** Red push button
- W** White push button
- L#** Signalling led
- #M** Momentary button with led
- J** 4 way mini joystick
- V** Purple push button

**ROCKER SWITCH OR ROLLER Pos. A÷L** See page 16 \_\_\_\_\_

- GR1** R1 Rocker in position G (See page 12) First letter = position, other 2 letters = control type, repeat if necessary
- RL** Proportional roller with lever
- R1** Latched rocker switch 3 positions
- R2** Latched rocker switch 2 positions
- R3** Momentary rocker switch 3 positions

- TILTED OPTION** See page 17
- Standard straight M10x1.5
  - S2** Tilted 15° right (LH Handle)
  - S3** Tilted 15° left (RH Handle)

- WIRING TERMINATION**
- 0** Flying leads
  - 2** With connector ( maker and model number to be specified on order )

- OPERATOR PRESENCE BUTTON** See page 5
- X** Without operator presence
  - TCAP1** Operator presence capacitive sensor

# = Assigned color

Example: MULTIFUNCTION HANDLE CONTROL, POS 1 BLUE BUTTON, POS 4 GREEN BUTTON , POS 5 RED PUSH BUTTON, POS 8 FOUR WAY SWITCH, POS E PROPORTIONAL ROLLER WITH LEVER, STANDARD OPERATOR PRESENCE CAPACITIVE SENSOR, FLYING LEADS:  
**MHC-1B4G5R8D-ERL-TCAP10**

\*\* For special configuration, please contact Hydreco Hydraulics

#### PUSH BUTTON TYPE C

**Rating currents:** 5A@28VDC resistive load  
**Electrical life:** 25,000 cycles  
**Mechanical life:**  $10^6$  cycles



#### PROPORTIONAL ROLLER

**Supply voltage:** 5 VDC  
**Output signal:** 0,5-4,5 VDC with 2,5V in neutral position  
**Mechanical life:**  $3 \times 10^6$  cycles



#### ROCKER SWITCH

**Rating currents:** 16A@28VDC resistive load  
**Mechanical life:**  $10^5$  cycles  
**Electrical life:**  $25 \times 10^3$  cycles



#### FOUR WAYS SWITCH

**Rating currents:** 1A@28VDC inductive  
**Electrical life:**  $10^5$  cycles



#### SIGNALING LED

**Color available:** White, Red, Yellow, Green, Blue  
**Supply voltage:** 12 or 24 VDC  
**Mounted:** On panel with support



#### FOUR WAY PROPORTIONAL MINI-JOYSTICK

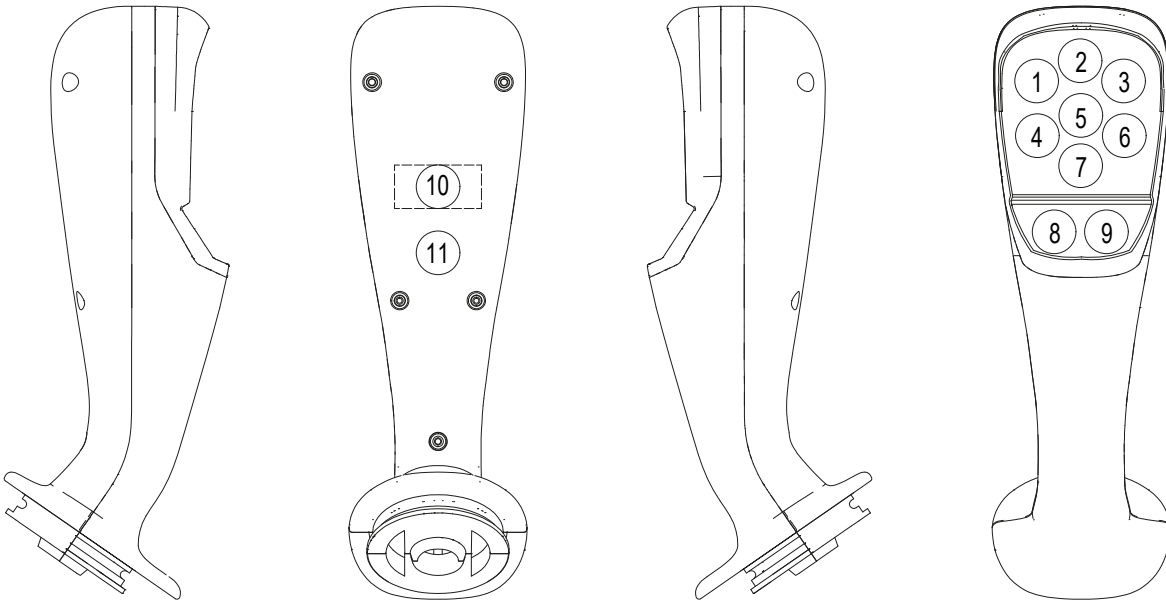
**Supply voltage:** 5 VDC  
**Output voltage:** 0.5-4.5 V with 2.5 V in neutral, for each axis  
**Mechanical life:**  $10^6$  cycles



Note: Other controls available on request.

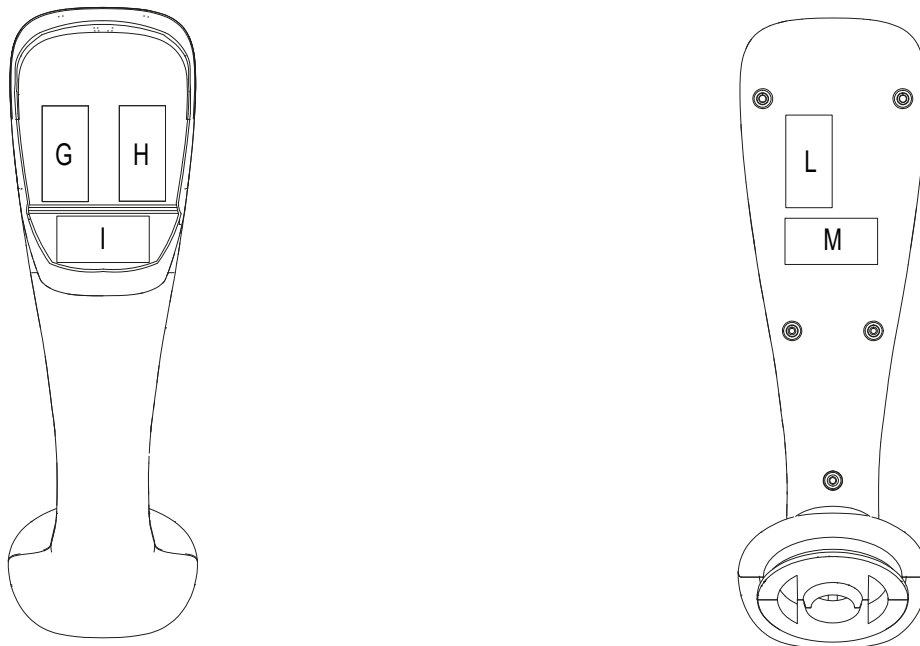


POSITIONS FOR PUSH BUTTONS

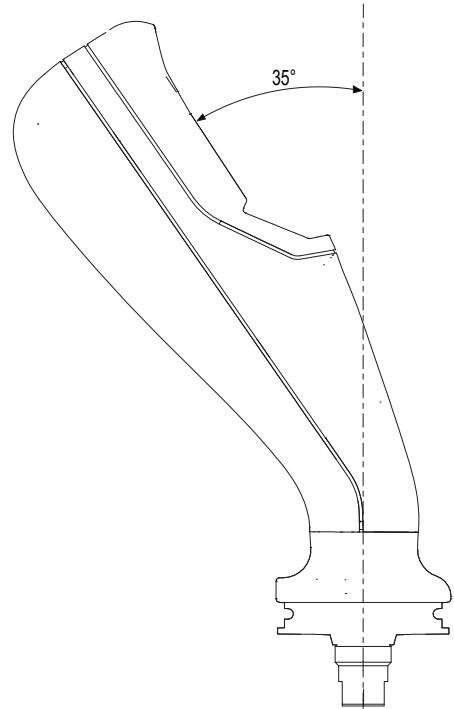
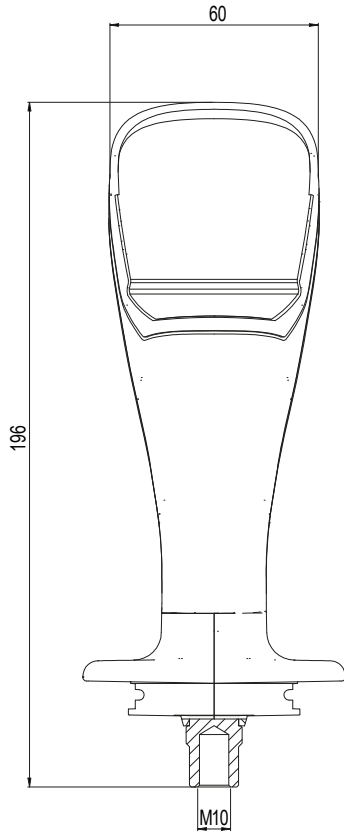


POSITIONS FOR ROLLER AND ROCKER CONTROL

Standard positions for rocker and proportional roller, vertical and horizontal mounted (G,H,I for both rockers and rollers. L and M for proportional roller )

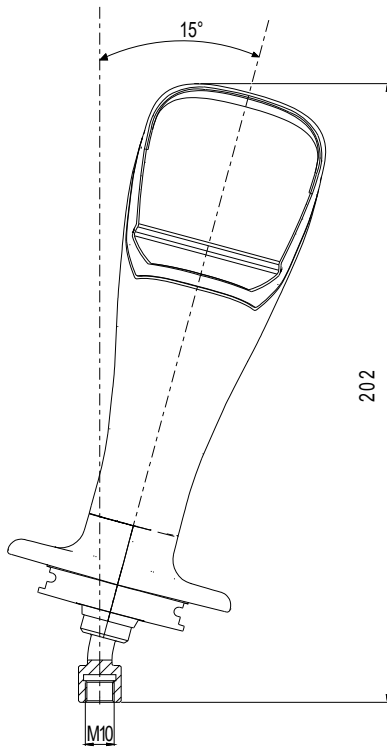


**0 - STANDARD STRAIGHT**



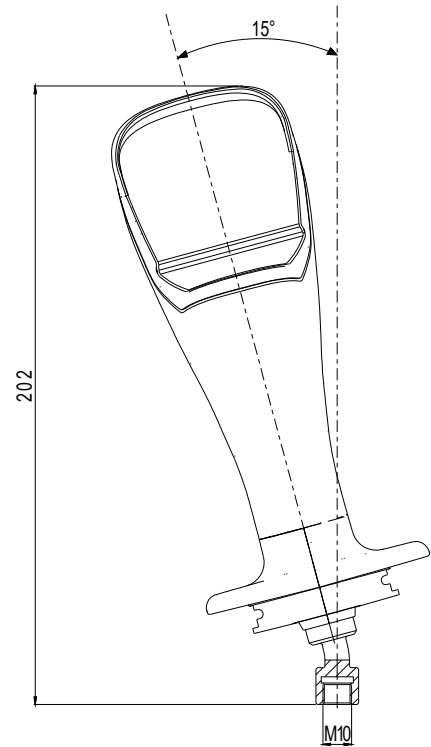
**S2 - TILTED 15° RIGHT**

LH Handle



**S3 - TILTED 15° LEFT**

RH Handle



EXM - MODEL CODING

EXM- [ ] - [ ] - [ ] - [ ] - [ ] - [ ]

**MODEL**

**EXM** Excavator Multifunction

**PUSH BUTTON SWITCH OPTION** See page 15

- A** Plastic push button with micro-switches
- C** Push button with micro-switches
- E** Sealed push button with micro-switches

**PUSH BUTTON/SWITCH OPTION Pos. 1÷4** See below  
(Insert ID letter for each button/switch chosen on the following list and in progressive sequence from 1 up to position 4)

- X** No button switch
- B** Blue
- G** Green
- R** Red
- Y** Yellow
- W** White Only type C & E
- L** Signaling led
- K** Black Only type C
- A** Grey Only type C
- V** Purple Only type C
- O** Orange Only type C

**ROCKER SWITCH OPTION**

\* Omit if not required

**TILTED OPTION** See page 20

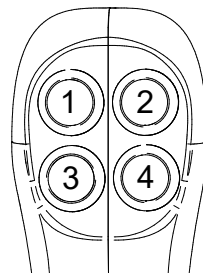
- 0** Standard straight M10x1.5
- 1** Tilted 15° forward
- 2** Tilted 15° right (LH Handle)
- 3** Tilted 15° left (RH Handle)

**GAITER COLLAR**

**S** With provision for square boot

**WIRING TERMINATION**

- Standard
- 2** With connector (Manufacturer and model number to be specified on order)

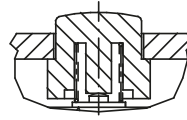


Buttons Position

Example: EXCAVATOR MULTIFUNCTION HANDLE, PUSH BUTTON C, POS.1 BLUE BUTTON, POS.4 GREEN BUTTON, STANDARD TERMINATION, SQUARE BOOT, STANDARD STRAIGHT: EXM-C-BXXG-S0

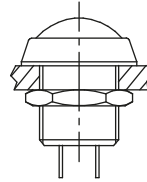
**A - PLASTIC PUSH BUTTON**

**Rating currents:** 5A@30VDC resistive load  
**Input voltage range:** 30 VDC  
**Electrical life:** 10<sup>4</sup> cycles  
**Mechanical life:** 2x10<sup>6</sup> cycles



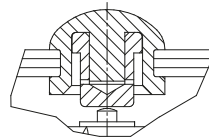
**C - ISOLATED PUSH BUTTON**

**Rating currents:** 5A@28VDC resistive load  
**Electrical life:** 25,000 cycles  
**Mechanical life:** 10<sup>6</sup> cycles



**E - SEALED SERVICEABLE PUSH BUTTON**

**Rating currents:** 5A@30VDC resistive load  
**Input voltage range:** 30 VDC  
**Electrical life:** 10<sup>4</sup> cycles  
**Mechanical life:** 2x10<sup>6</sup> cycles



**S TYPE - WATERPROOF ROCKER SWITCH**



**Rating currents:** 16A@28VDC resistive load  
**Mechanical life:** 10<sup>5</sup> cycles  
**Electrical life:** 25x10<sup>3</sup> cycles

**VERTICAL MOUNTED**



**S1B:** 3 positions momentary rocker  
**S2B:** 3 positions latched rocker  
**S5B:** 2 positions latched rocker  
**S3B:** 3 positions latched and momentary rocker

**HORIZONTAL MOUNTED**



**S1A:** 3 positions momentary rocker  
**S2A:** 3 positions latched rocker  
**S5A:** 2 positions latched rocker  
**S3A:** 3 positions latched and momentary rocker

**HORIZONTAL WITH TYPE C**



**PROPORTIONAL ROLLER HYRP**

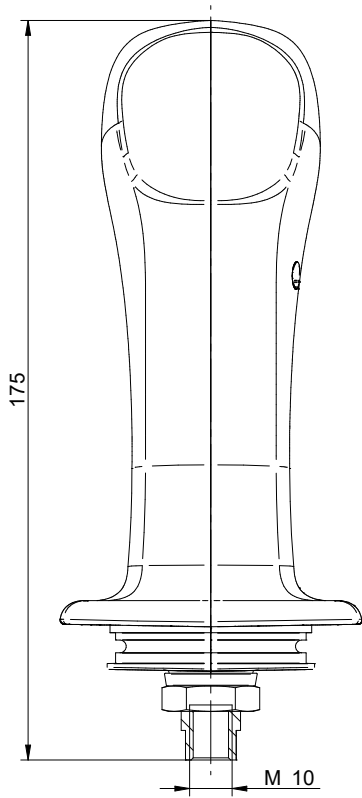
**Supply voltage:** 5VDC  
**Output signal:** 0,4-4,5 VDC with 2,5V in neutral position  
**Mechanical life:** 3x10<sup>6</sup> cycles



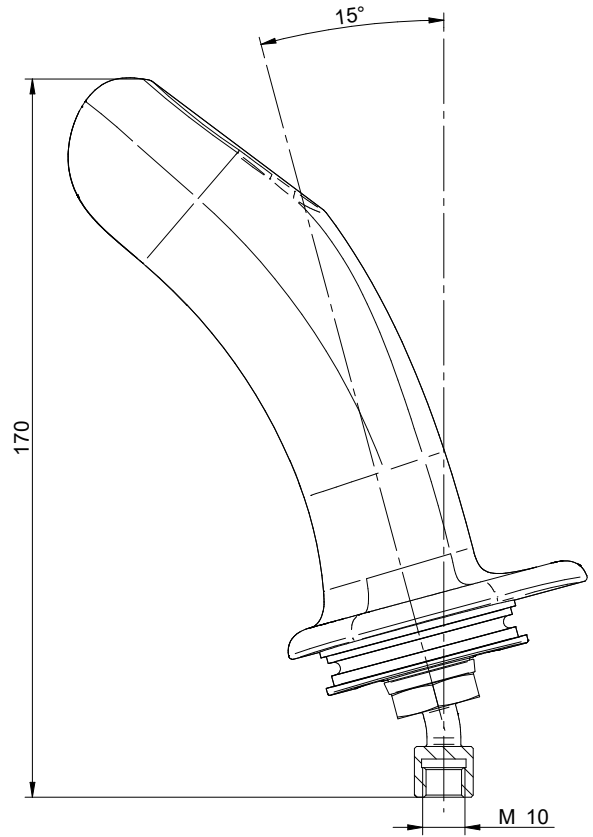
**VERTICAL MOUNTED**



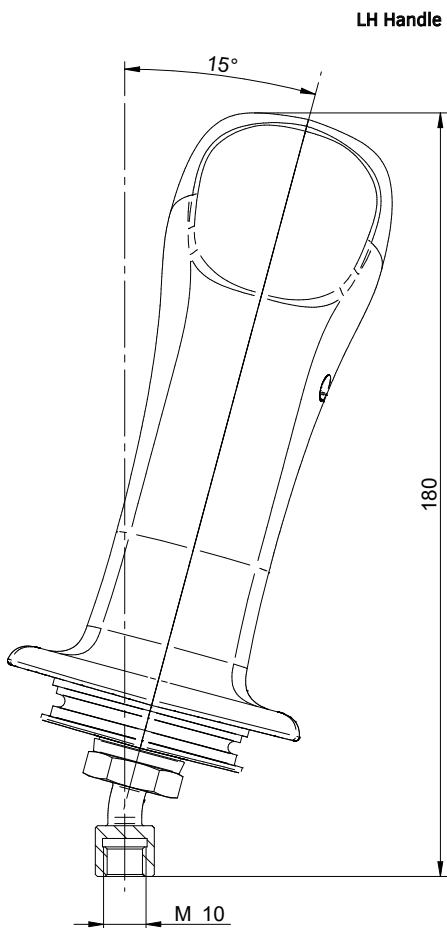
0 - STANDARD STRAIGHT



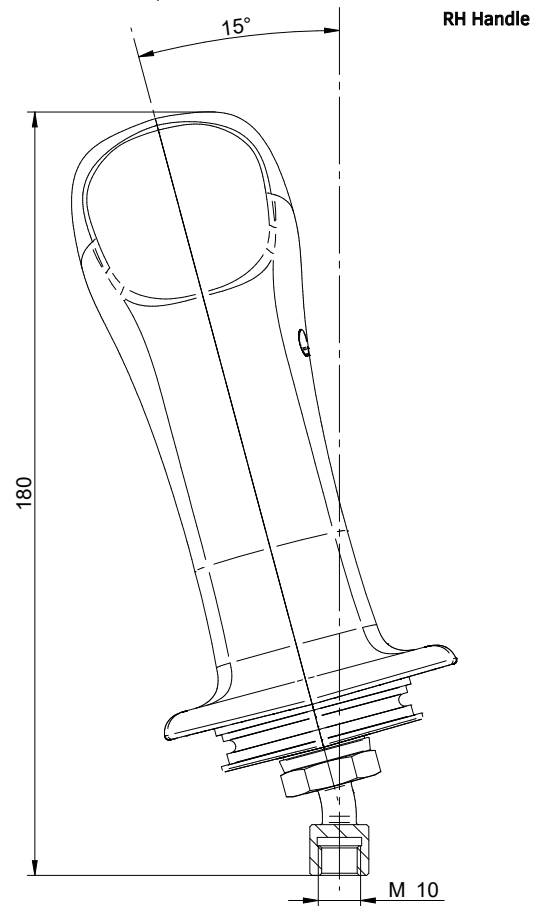
1 - TILTED 15° FORWARD



2 - TILTED 15° RIGHT



3 - TILTED 15° LEFT



# HYDRECO

a member of **DAIKIN** group

Supported by a worldwide network



## CONTACT INFORMATION

### EMEA

<b>GERMANY</b>	Hydreco Hydraulics GmbH, Straelen (NRW)	+49 283494303-41	info-de@hydreco.com
<b>ITALY</b>	Hydreco Hydraulics Italia Srl, Vignola (MO)	+39 059 7700411	sales-it@hydreco.com
<b>ITALY</b>	Hydreco Hydraulics Italia Srl, Parma (PR)	+39 0521 1830520	sales-it@hydreco.com
<b>ITALY</b>	Hydreco Srl, San Cesario S/P (MO)	+39 059 330091	cylinders@hydreco.com
<b>NORWAY</b>	Hydreco Hydraulics Norway AS, Nittedal	+47 22909410	post-no@hydreco.com
<b>UK</b>	Hydreco Hydraulics Ltd, Poole, Dorset	+44 (0) 1202 627500	info-uk@hydreco.com

### AMERICAS

<b>NORTH/LATIN</b>	Hydreco Inc/ Continental Hydraulics Inc, Shakopee (MN)	+1 952 895 6400	sales@conthyd.com
--------------------	--	-----------------	-------------------

### APAC

<b>AUSTRALIA</b>	Hydreco Hydraulics Pty Ltd, Seven Hills (NSW)	+61 2 9838 6800	sales-au@hydreco.com
<b>AUSTRALIA</b>	Hydreco Hydraulics Pty Ltd, Welshpool (WA)	+61 8 9377 2211	reception-wa@hydreco.com
<b>INDIA</b>	Hydreco Hydraulics India Private Ltd, Bangalore	+91 80 67656300	sales-in@hydreco.com



[www.hydreco.com](http://www.hydreco.com)  
[in hydreco-hydraulics](https://www.linkedin.com/company/hydreco-hydraulics)