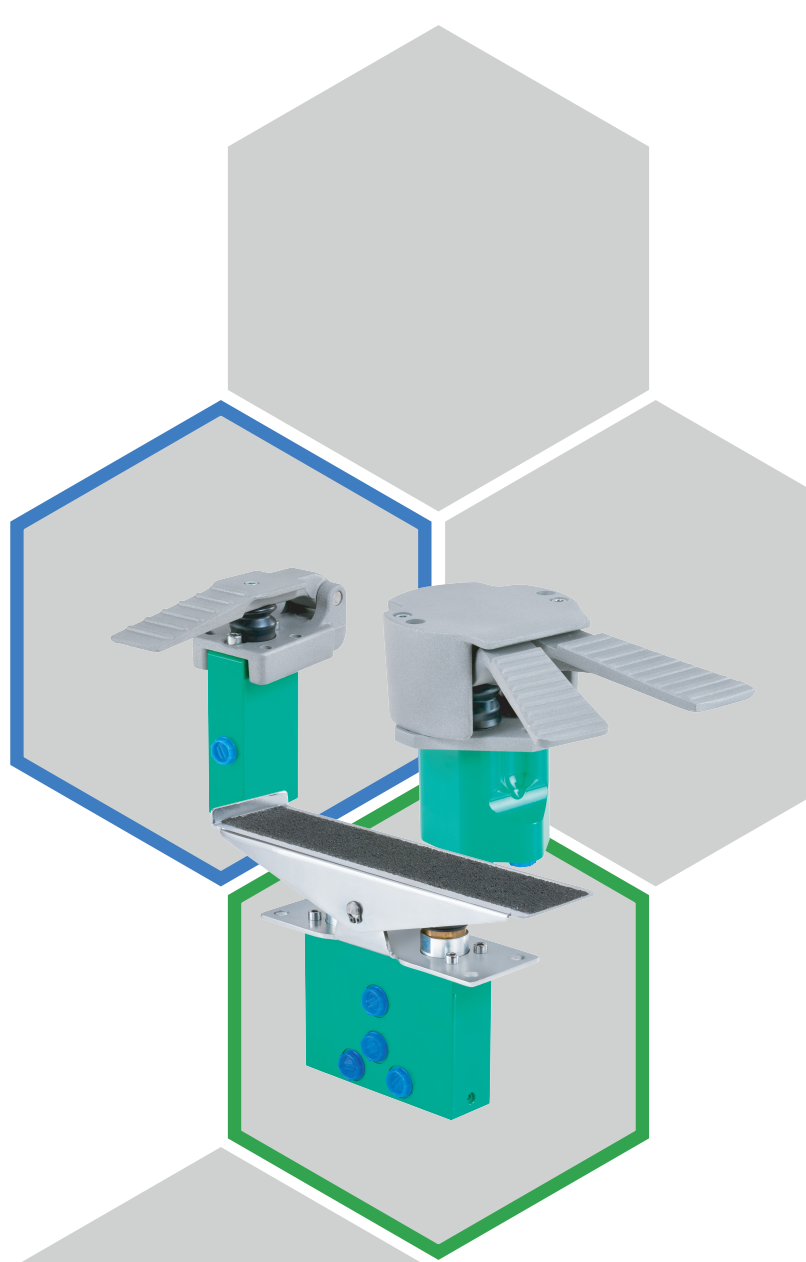


HPVP/PRSV SERIES

HYDRAULIC PILOT
CONTROL



INTRODUCTION

HPVP Pilot Control Valves are part of the extensive range of Hydreco Hydraulics product.

The range of foot pedal controls supported by a huge variety of characteristics, makes it suitable for a wide range of applications.

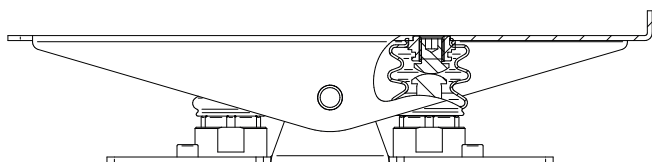
Our engineers can offer special support to optimise this product to suit your application.

BENEFITS

- Compact and lightweight
- Ports ideally positioned for easy installation
- Simple to mount
- Compatible with a wide range of product
- Operator is protected from high temperature components
- Low hysteresis, high accuracy, pressure control curves
- Range of operator pedal efforts available
- Rubber boot protection to prevent contamination and to operate in the toughest environmental conditions
- Plunger manufactured from non-corrosive steel
- End of stroke limited externally to prevent any damage to internal components
- Double lip seal option available for increased product life
- Optimised angular movement of foot pedal

PARTS

HPVP01S*



APPLICATIONS

- Forklift trucks
- Drilling rigs
- Forestry machines
- Cranes
- Material handling

* Please view other model type parts at page 4.

TECHNICAL FEATURES

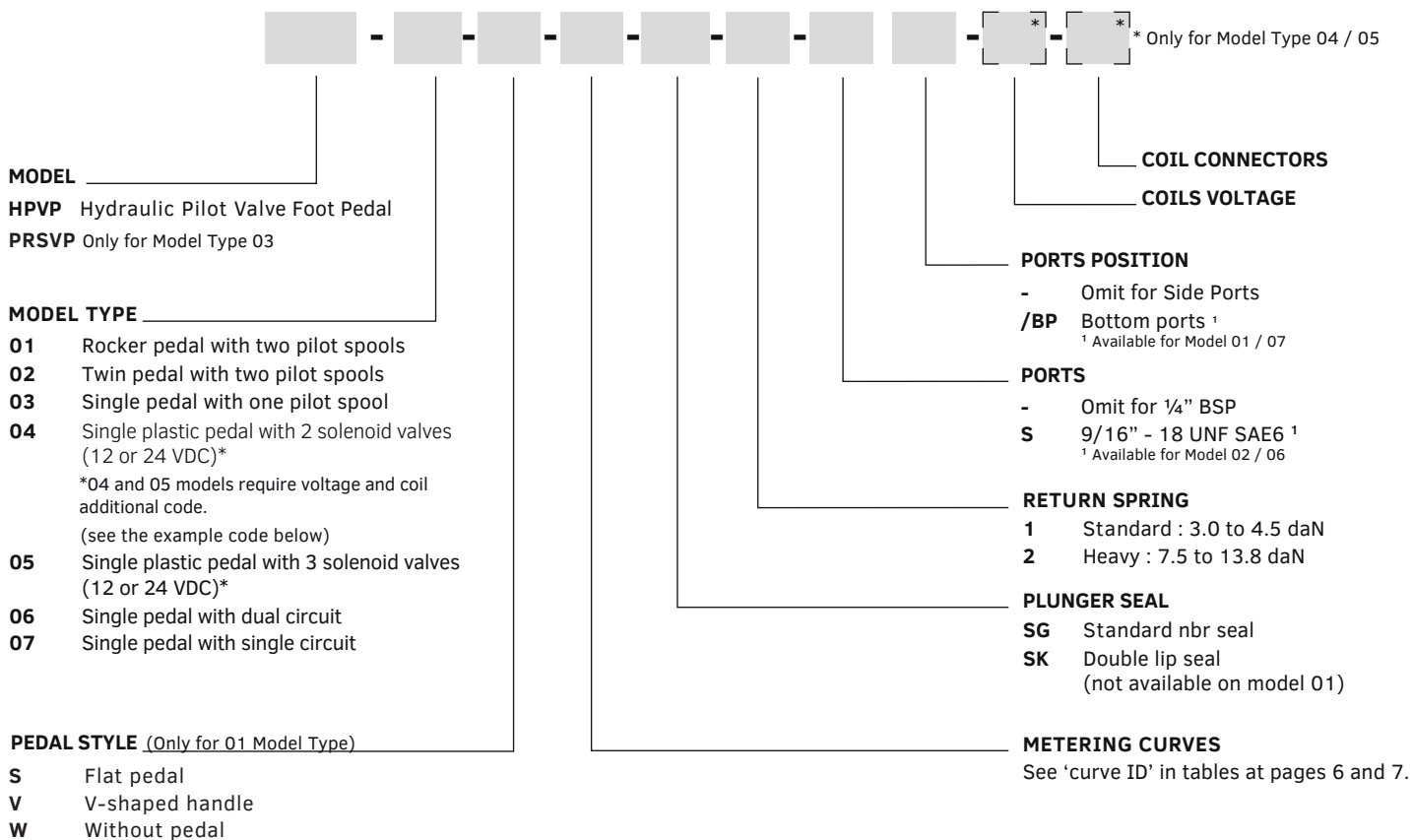
MAXIMUM OPERATING PRESSURE	inlet (P port)	50 bar	725 psi
	back (T port)	3 bar	43.5 psi
CONTROL FLOW	range	5 to 20 l/min	1.3 to 5.3 gpm
MAXIMUM HYSTERESIS		±0.5 bar	± 7.3 psi
SERVICE PORTS		1/4" BSP	7/16" UNF

RANGE TEMPERATURES	ambient	-20 to +54 °C	-4 to +130 °F
	fluid	-20 to +82 °C	-4 to +180 °F
FLUID TYPE	mineral oils ISO, HM and HV		
FLUID CONTAMINATION	ISO 4406:1999 class 20/18/15		

HYDRAULIC SYMBOL (TYPICAL)

Please view Hydraulic Symbol specs at page 4.

Hydrec Hydraulic reserves the right to update the information and data contained in this catalogue at any time without notice



COILS VOLTAGE (Only for 04 / 05 Model Type)	
D12	12 V DC solenoid
D24	24 V DC solenoid

COIL CONNECTORS (Only for 04 / 05 Model Type)	
K1	DIN 43650
K7	DT04-2P 'deutsch'

CODE EXAMPLE:

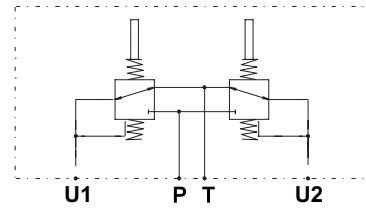
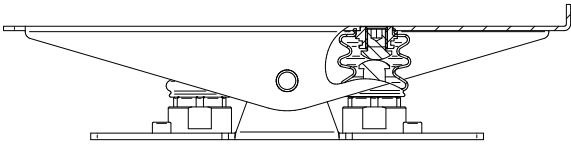
HPVP-01-S-015-SG-1

Hydraulic pilot valve foot pedal, model style 01, flat pedal, metering curve n. 015, standard nbr seal, standard return spring

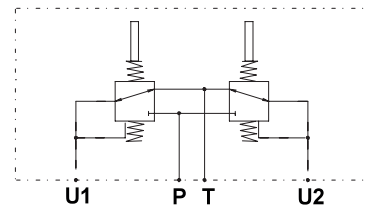
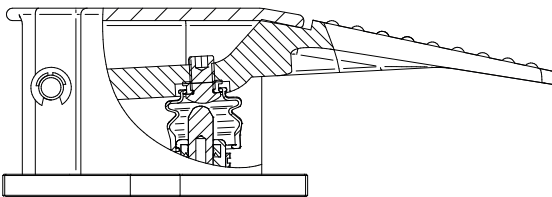
HPVP-04-S-015-SG-1-D12-K1

Hydraulic pilot valve foot pedal, model style 01, flat pedal, metering curve n. 015, standard nbr seal, standard return spring, voltage 12 V DC solenoid, DIN 43650

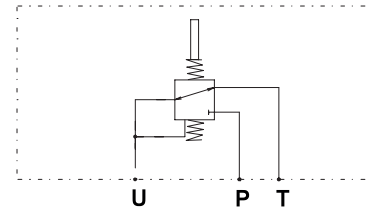
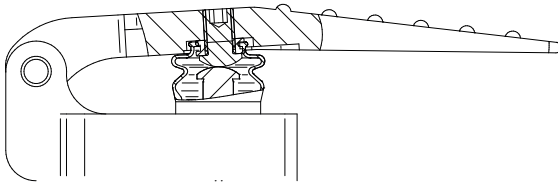
HYDRAULIC SYMBOL (01 MODEL TYPE)



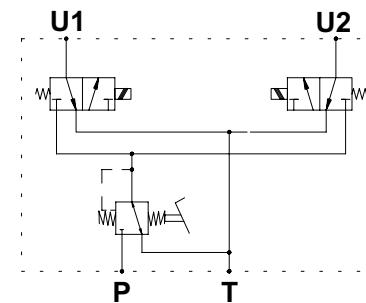
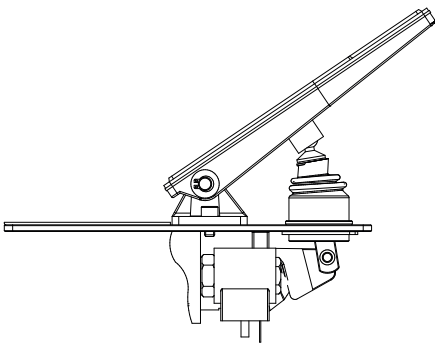
HYDRAULIC SYMBOL (02 MODEL TYPE)



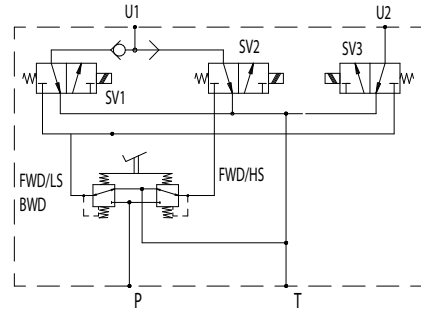
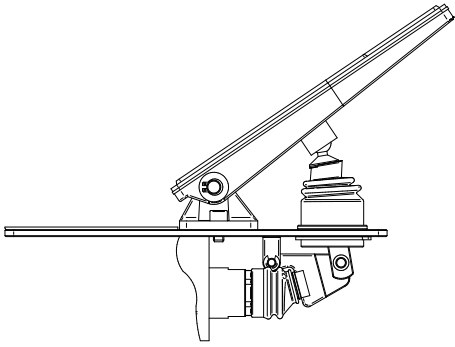
HYDRAULIC SYMBOL (03 MODEL TYPE)



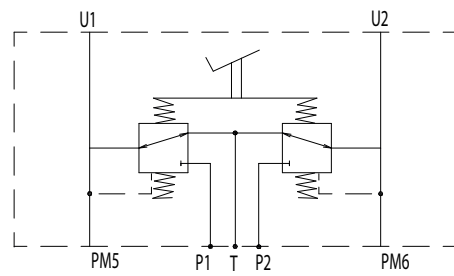
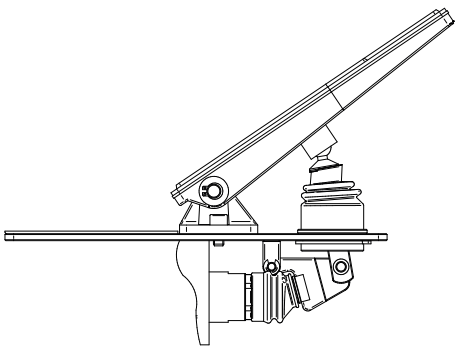
HYDRAULIC SYMBOL (04 MODEL TYPE)



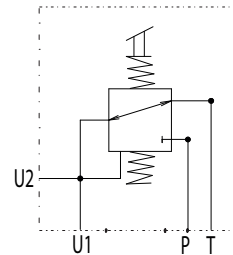
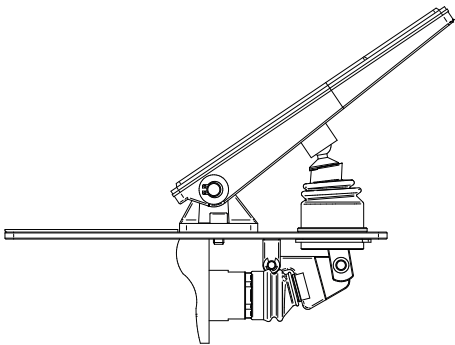
HYDRAULIC SYMBOL (05 MODEL TYPE)



HYDRAULIC SYMBOL (06 MODEL TYPE)

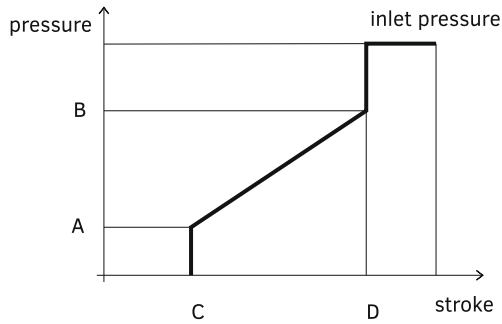


HYDRAULIC SYMBOL (07 MODEL TYPE)



METERING CURVES - WITH STEP

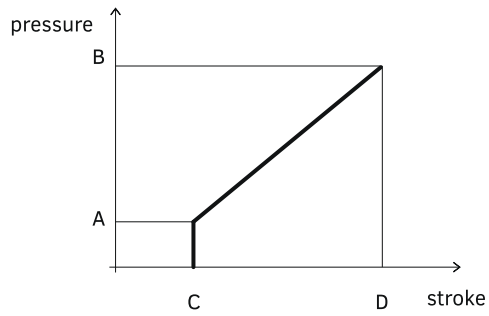
Tolerance on pressure settings ± 0.5 bar (7.25 psi). Other metering curves are available upon request.



PRESSURE (bar psi)		STROKE (mm in)		CURVE ID
A	B	C	D	
1.0 14.5	12.0 174.0	1.0 0.04	8.5 0.33	034
2.0 29.0	11.5 166.8	1.0 0.04	8.5 0.33	012
2.0 29.0	20.5 297.3	0.9 0.04	8.5 0.33	077
2.0 29.0	14.2 206.0	1.0 0.04	8.5 0.33	163
3.2 46.4	17.2 249.5	1.0 0.04	8.5 0.33	062
3.4 49.3	29.4 426.4	1.0 0.04	8.5 0.33	030
4.3 62.4	15.2 220.5	1.0 0.04	8.5 0.33	049
4.9 71.1	18.9 274.1	1.0 0.04	8.5 0.33	018
4.9 71.1	17.5 253.8	2.0 0.08	8.5 0.33	202
5.0 72.5	14.5 210.3	1.0 0.04	8.5 0.33	019
5.0 72.5	15.9 230.6	1.0 0.04	8.5 0.33	026
5.8 84.1	22.0 319.1	1.8 0.07	8.5 0.33	015
7.2 104.4	16.7 242.2	1.0 0.04	8.5 0.33	199
7.6 110.2	21.7 314.7	1.0 0.04	8.5 0.33	198
8.0 110.0	23.0 333.6	1.0 0.04	8.5 0.33	173

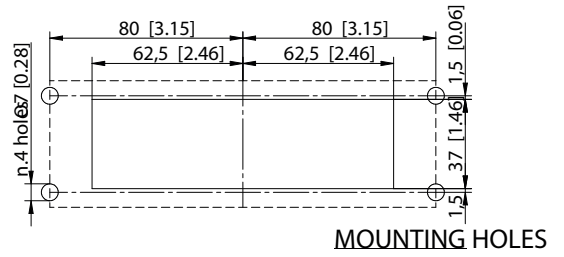
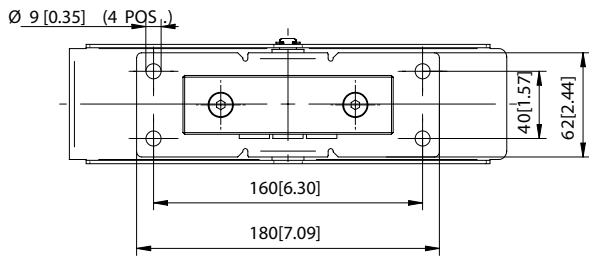
METERING CURVES - WITHOUT STEP

Tolerance on pressure settings ± 0.5 bar (7.25 psi). Other metering curves are available upon request.

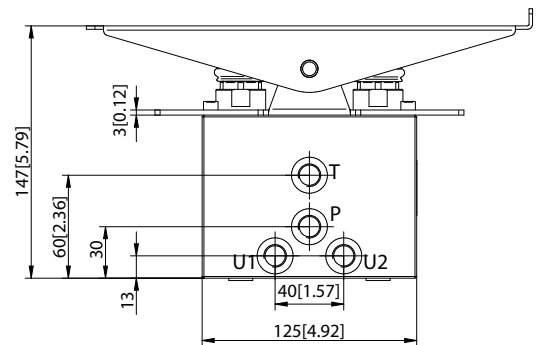
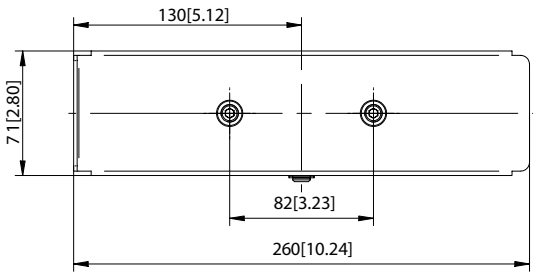


PRESSURE (bar psi)		STROKE (mm in)		CURVE ID
A	B	C	D	
3.8 55.1	23.7 343.7	0.9 0.04	9.0 0.35	074
4.0 58.0	8.0 116.0	1.0 0.04	9.0 0.35	054
4.4 63.8	21.6 313.3	0.9 0.04	9.0 0.35	126
5.0 72.5	18.0 261.1	2.0 0.08	9.0 0.35	079
5.0 72.5	19.87 288.2	0.9 0.04	9.0 0.35	094
5.7 82.7	18.7 271.2	0.9 0.04	9.0 0.35	055
8.3 120.4	22.5 326.3	1.0 0.04	9.0 0.35	059

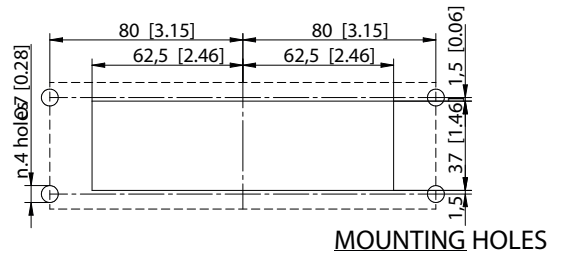
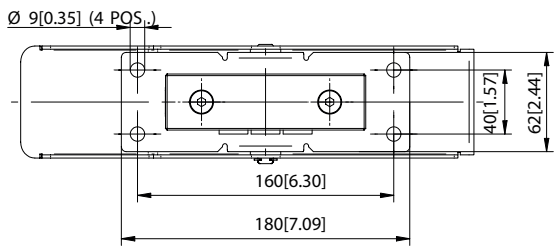
INSTALLATION AND DIMENSIONS mm[in] - HPVP01S - Flat Rocker Pedal



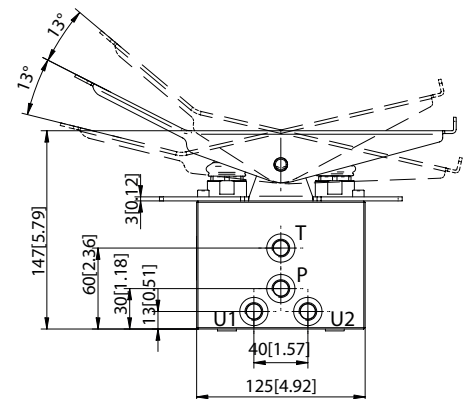
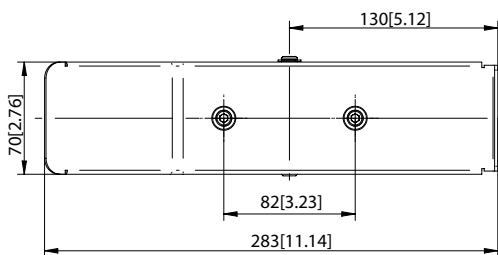
ORIENTATION OF THE PILOT CONTROL



INSTALLATION AND DIMENSIONS mm[in] - HPVP01V - V Shaped Rocker Pedal

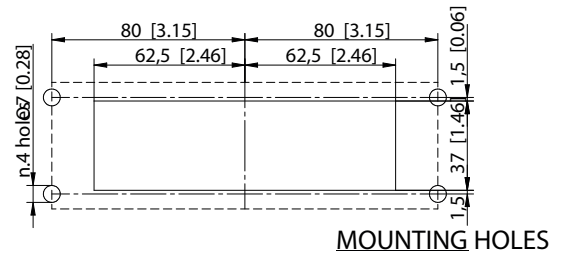
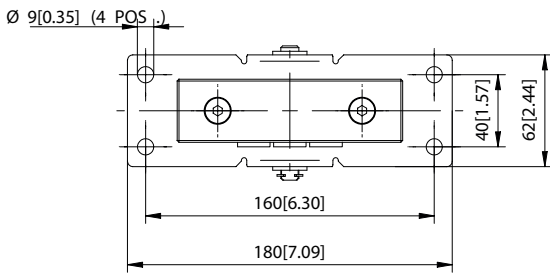


ORIENTATION OF THE PILOT CONTROL

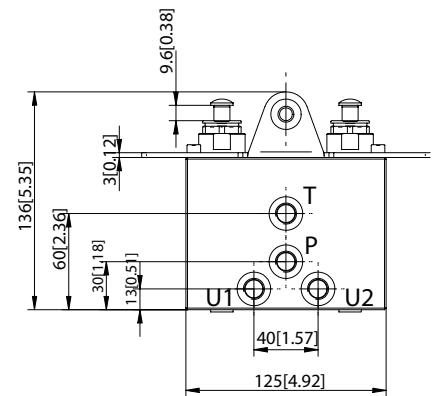
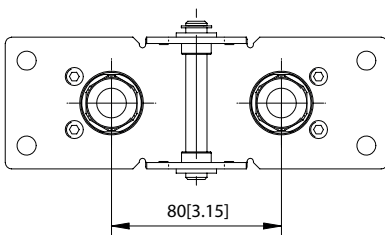


Pedal Model	approx. weight (kg lb)
Model type 01	2.350 5.18

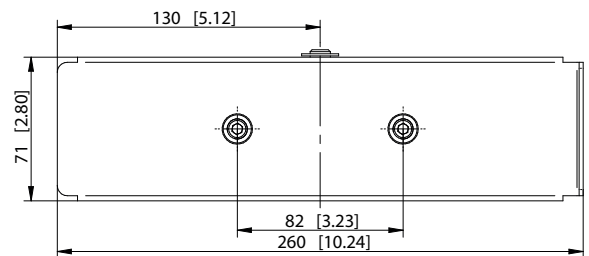
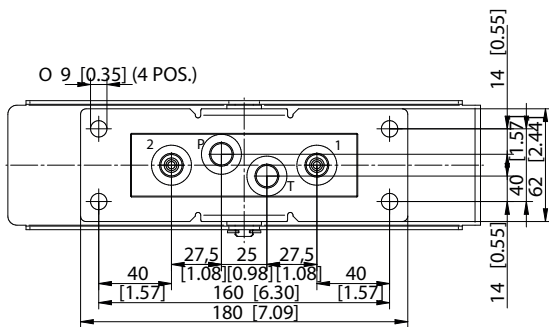
INSTALLATION AND DIMENSIONS mm[in] - HPVP01W - Without Pedal



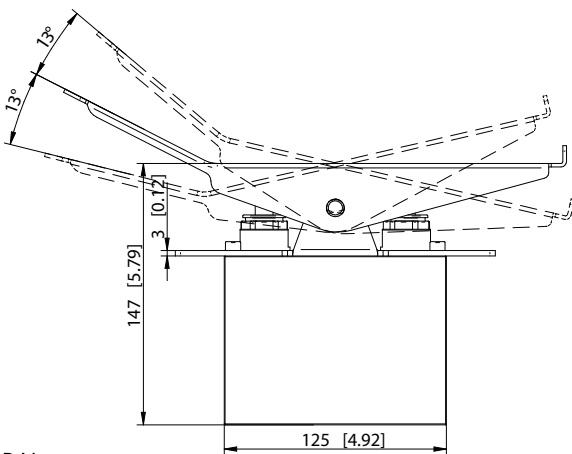
ORIENTATION OF THE PILOT CONTROL



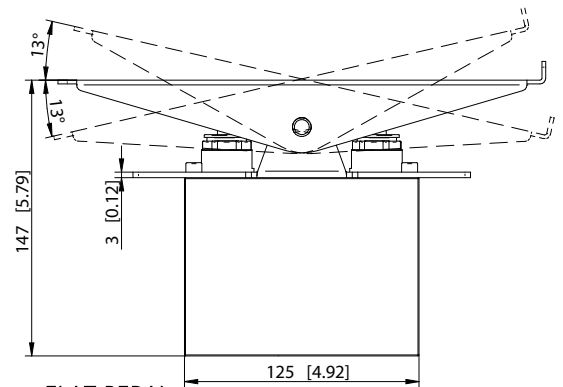
INSTALLATION AND DIMENSIONS mm[in] - HPVP01*/BP - Option BP (Bottom Ports)



ORIENTATION OF THE PILOT CONTROL

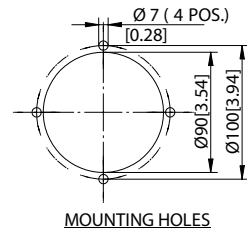
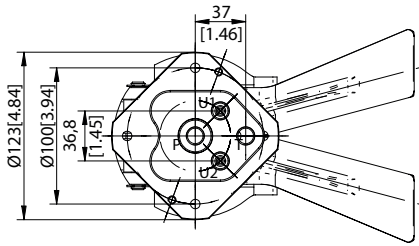


V PEDAL

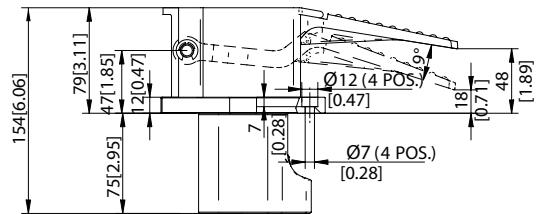
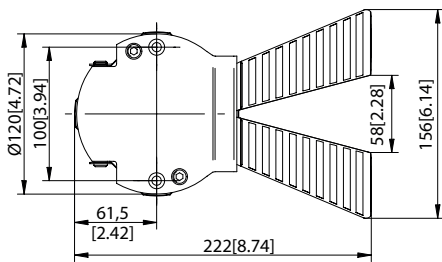


FLAT PEDAL

INSTALLATION AND DIMENSIONS mm[in] - HPVP02 - Twin Pedal

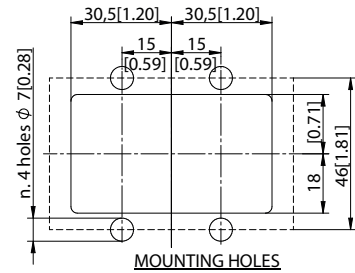
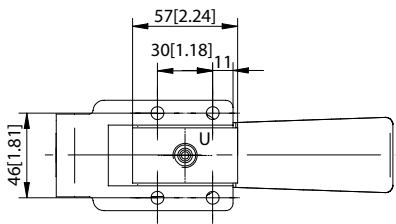


ORIENTATION OF THE PILOT CONTROL

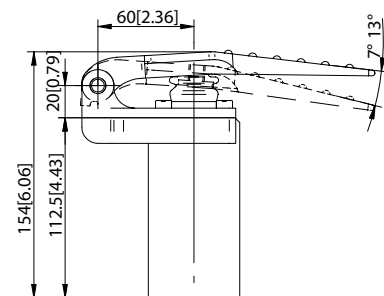
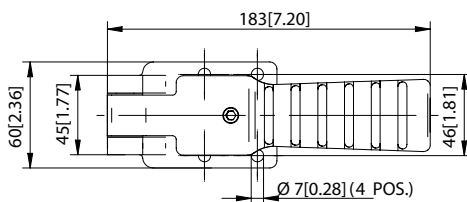


Pedal Model	approx. weight (kg lb)
Model type 02	2.400 5.29

INSTALLATION AND DIMENSIONS mm[in] - PRSVP03 - Single Pedal

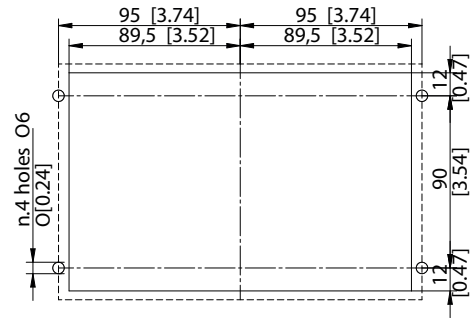
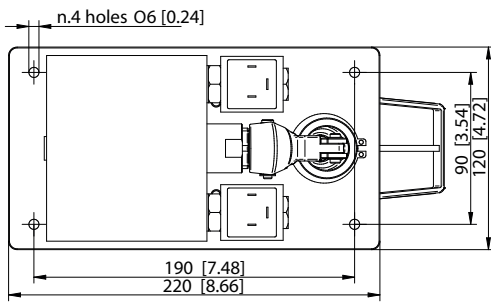


ORIENTATION OF THE PILOT CONTROL

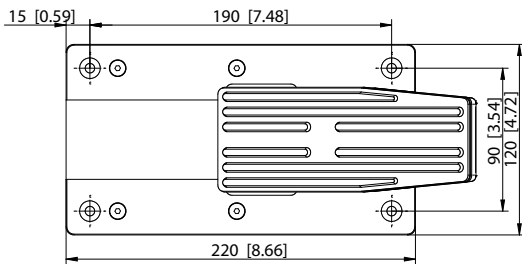


Pedal Model	approx. weight (kg lb)
Model type 03	1.050 2.31

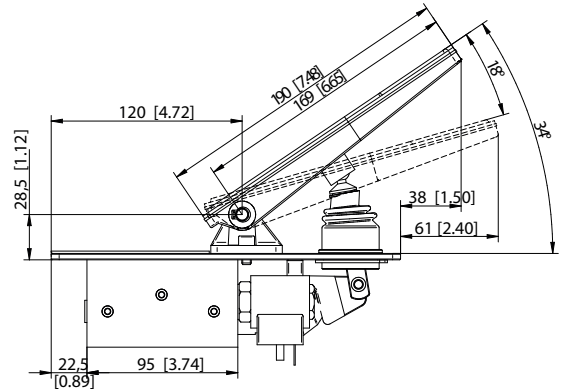
INSTALLATION AND DIMENSIONS mm[in] - HPVP04 - Single Pedal with 2 Solenoid Valves



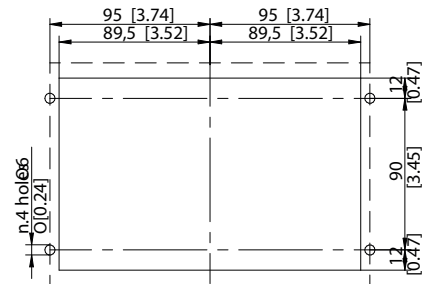
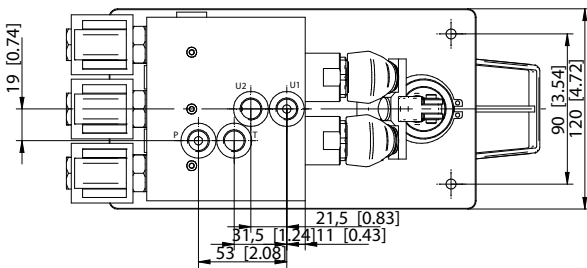
ORIENTATION OF THE PILOT CONTROL



Pedal Model	approx. weight (kg lb)
Model type 04	3.500 7.72

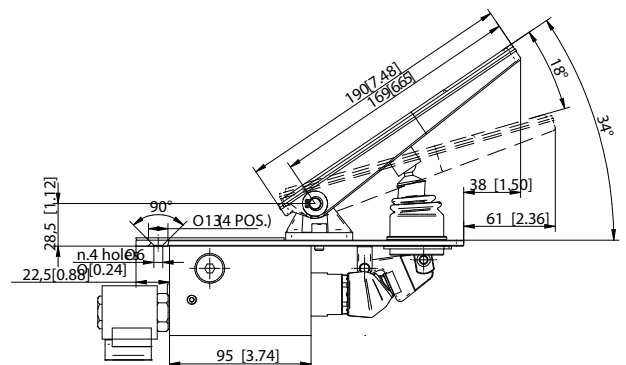
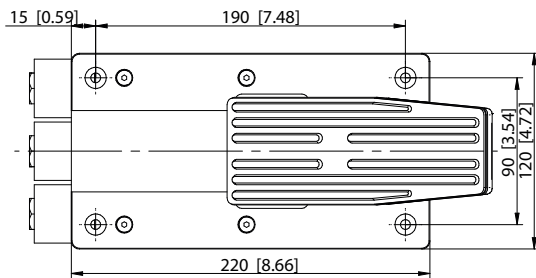


INSTALLATION AND DIMENSIONS mm[in] - HPVP05 - Single Pedal with 3 Solenoid Valves

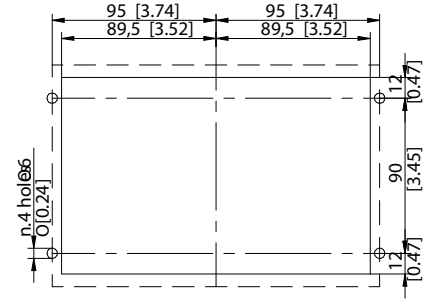
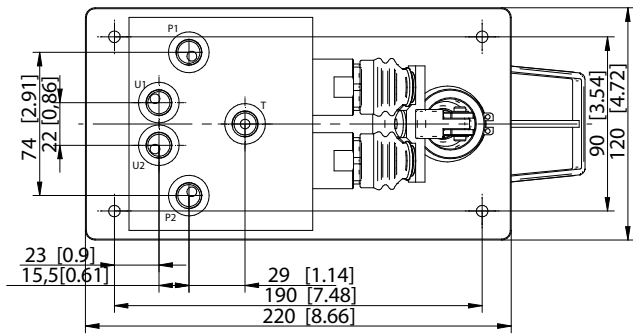


MOUNTING HOLES

ORIENTATION OF THE PILOT CONTROL

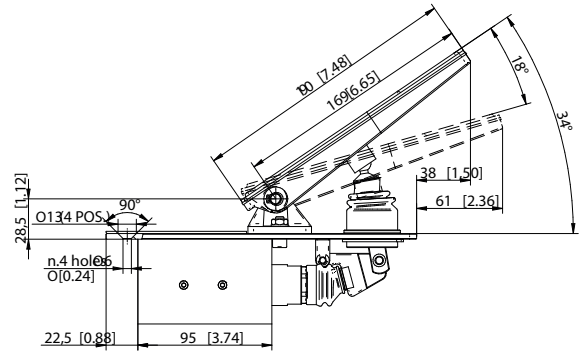
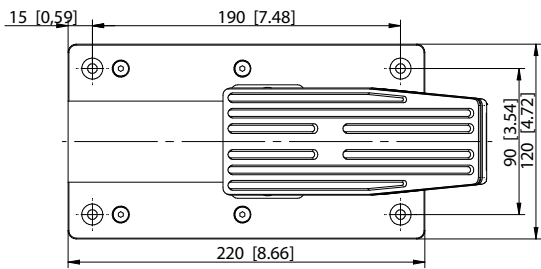


INSTALLATION AND DIMENSIONS mm[in] - HPVP06 - Single Pedal with Dual Circuit

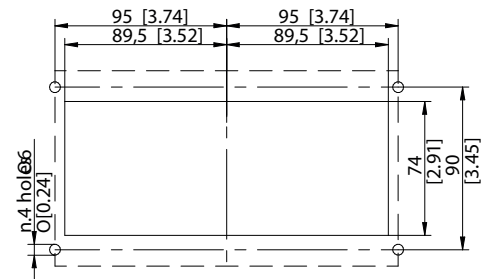
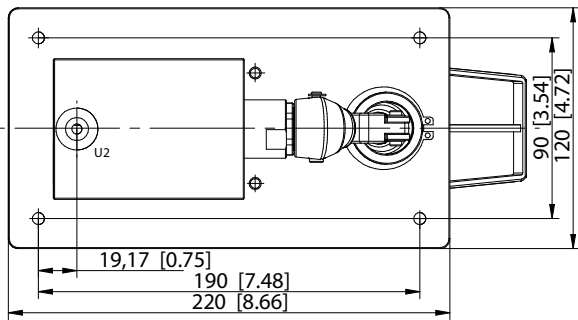


MOUNTING HOLES

ORIENTATION OF THE PILOT CONTROL

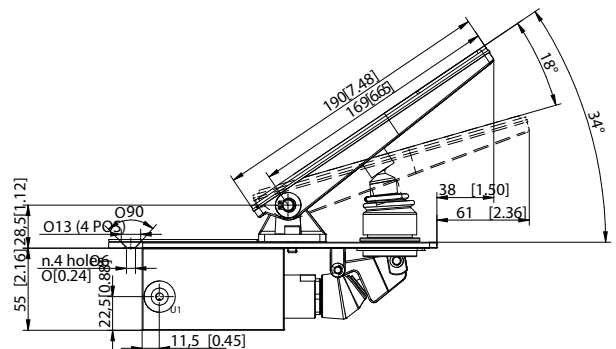
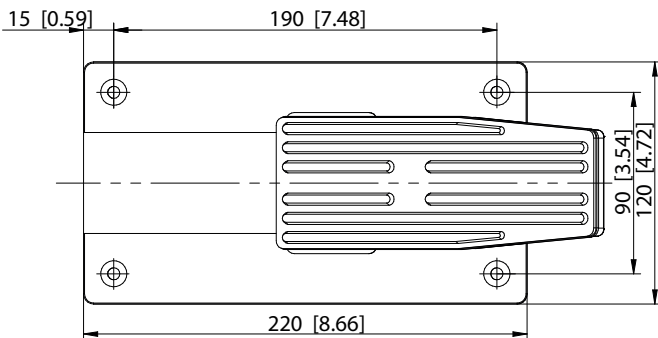


INSTALLATION AND DIMENSIONS mm[in] - HPVP07 - Single Pedal

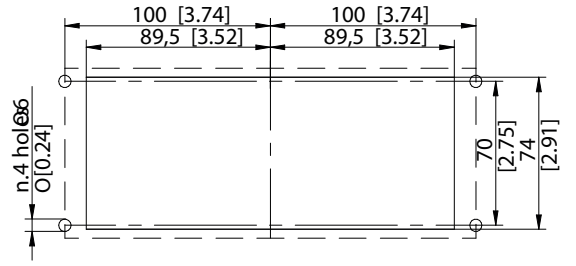
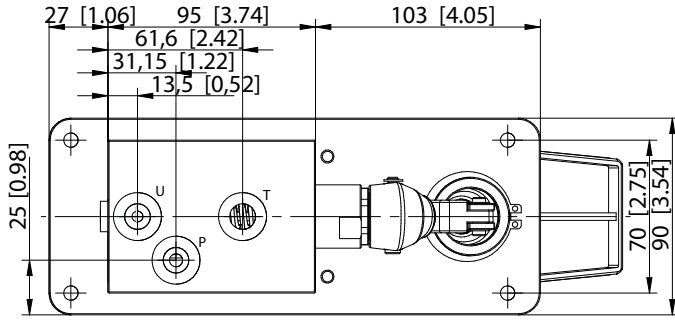


MOUNTING HOLES

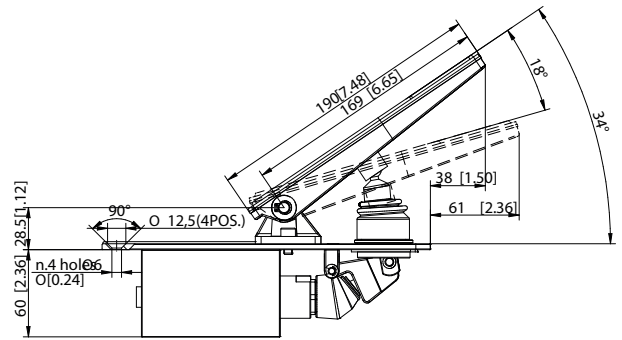
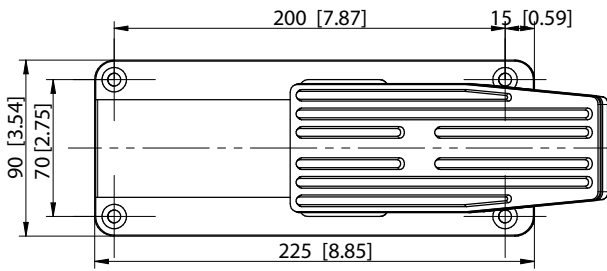
ORIENTATION OF THE PILOT CONTROL



INSTALLATION AND DIMENSIONS mm[in] - HPVP07 - Option BP



ORIENTATION OF THE PILOT CONTROL



Supported by a worldwide network



CONTACT INFORMATION

EMEA

GERMANY	Hydreco Hydraulics GmbH, Straelen (NRW)	+49 283494303-41	info-de@hydreco.com
ITALY	Hydreco Hydraulics Italia Srl, Vignola (MO)	+39 059 7700411	sales-it@hydreco.com
ITALY	Hydreco Hydraulics Italia Srl, Parma (PR)	+39 0521 1830520	sales-it@hydreco.com
ITALY	Hydreco Srl, San Cesario S/P (MO)	+39 059 330091	cylinders@hydreco.com
NORWAY	Hydreco Hydraulics Norway AS, Nittedal	+47 22909410	post-no@hydreco.com
UK	Hydreco Hydraulics Ltd, Poole, Dorset	+44 (0) 1202 627500	info-uk@hydreco.com

AMERICAS

NORTH/LATIN	Hydreco Inc/ Continental Hydraulics Inc, Shakopee (MN)	+1 952 895 6400	sales@conthyd.com
--------------------	--	-----------------	-------------------

APAC

AUSTRALIA	Hydreco Hydraulics Pty Ltd, Seven Hills (NSW)	+61 2 9838 6800	sales-au@hydreco.com
AUSTRALIA	Hydreco Hydraulics Pty Ltd, Welshpool (WA)	+61 8 9377 2211	reception-wa@hydreco.com
INDIA	Hydreco Hydraulics India Private Ltd, Bangalore	+91 80 67656300	sales-in@hydreco.com

