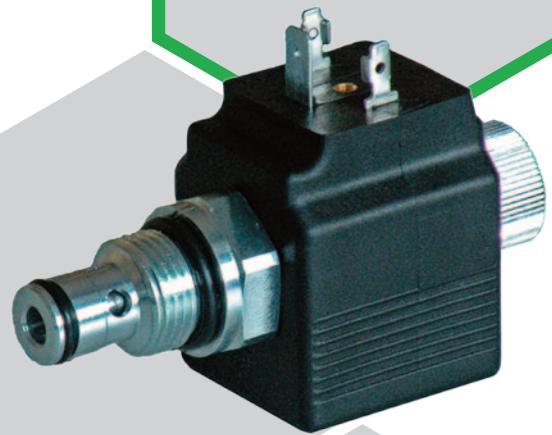


# HYDRECO

## KT\*\*

### POPPET SOLENOID VALVES, CARTRIDGE

<b>KT08</b>	max 350 bar	40 l/min
<b>KT10</b>	max 350 bar	80 l/min
<b>KT12</b>	max 350 bar	150 l/min



# TECHNICAL CATALOGUE

### INTRODUCTION

The KT\* are 2-port pilot operated poppet valve, actuated by solenoid.

They are available in three nominal sizes, normally closed version (NC) or normally open version (NO) in standard configuration (S), reverse flow (R) or double seal (D), with nominal flow rate up to 150 l/min.

Manual override is available.

### FLUIDS

Use mineral oil-based hydraulic fluids HL or HM type, according to ISO 6743-4. For these fluids, use NBR seals. For fluids HFDR type (phosphate esters) use FPM seals (code V). For the use of other kinds of fluid such as HFA, HFB, HFC, please consult our technical department.

**Using fluids at temperatures higher than 80 °C (180 °F) causes the accelerated degradation of seals as well as the fluid physical and chemical properties.**

Concerning safety standpoint, temperatures above 55 °C (130 °F) are not recommended.

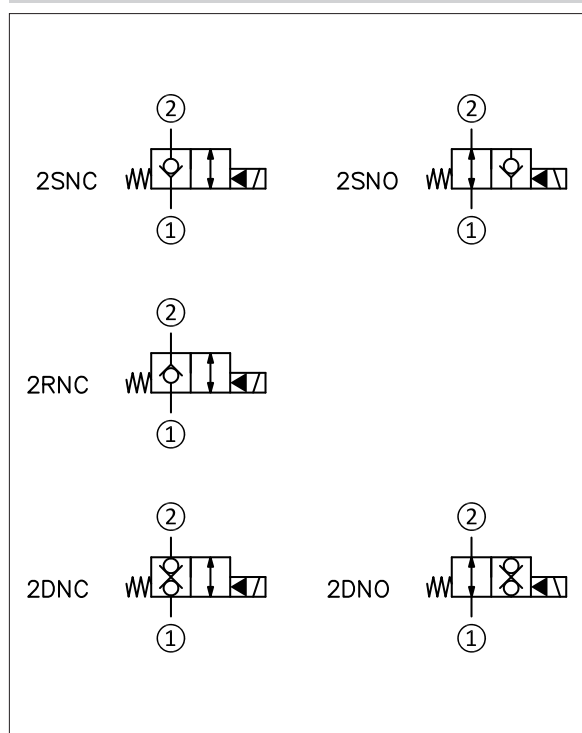
### KT\*\* OPERATING PARAMETERS

<b>MAXIMUM OPERATING PRESSURE</b>		350 bar	5000 psi
<b>MAX INTERNAL LEAKAGES AT 350 BAR</b>		0.25 cm <sup>3</sup> /min	
<b>FLOW CAPACITY</b>	KT08	40 l/min	10.6 gpm
	KT10	80 l/min	21.1 gpm
	KT12	150 l/min	39.7 gpm
<b>CAVITY</b>	KT08	SAE08	
	KT10	SAE10	
	KT12	SAE12	

<b>SWITCHING TIMES 0→100 / 100→0</b>	KT08-2SNC KT08-2SNO KT08-2RNC KT08-2DNC KT10-2SNO	30 ms	60 ms
	KT10-2RNC	50 ms	70 ms
	KT08-2DNO KT10-2SNO	100 ms	50 ms
	KT12-2SNC	40 ms	90 ms

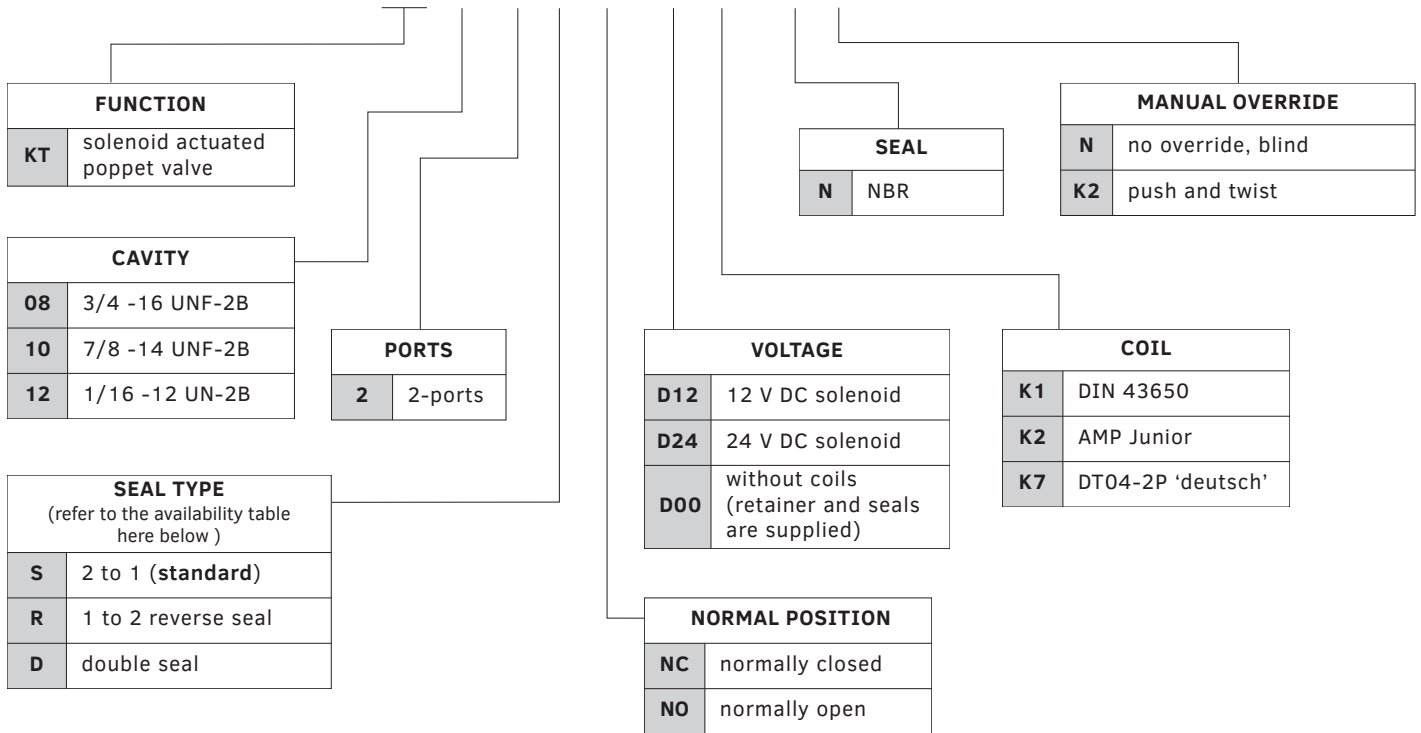
<b>TEMPERATURE RANGE</b>	ambient	-20 to +54 °C	- 4 to +130 °F
	fluid	-20 to +82 °C	- 4 to +180 °F
<b>FLUID VISCOSITY</b>	range	7.4 - 420 cSt	50.3 - 1950 SUS
	recommended	25 cSt	120 SUS
<b>FLUID CONTAMINATION</b>		ISO 4406:1999 class 20/18/15	

### HYDRAULIC SYMBOLS



CARTRIDGES FOR SAE CAVITIES

**KT** ■ **-2** ■ ■ **-** ■ ■ **- N** ■ **-1** ————— design mark



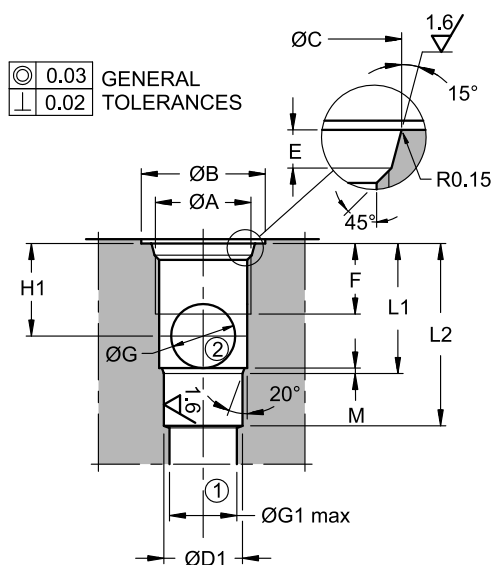
AVAILABILITY

	SAE CAVITY		
	08	10	12
2SNC	■	■	■
2RNC	■	■	-
2DNC	■	-	-
2SNO	■	■	-
2DNO	■	-	-

CODE EXAMPLES:

KT08-2SNO-D00-NK2-1  
 KT08-2SNO-D12K7-NK2-1

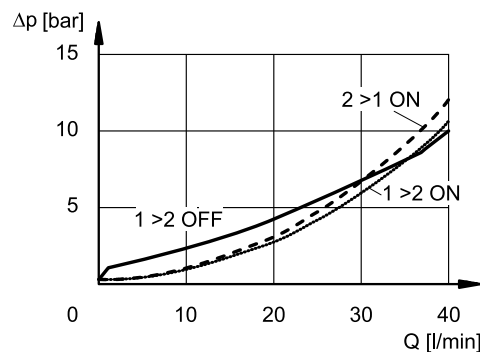
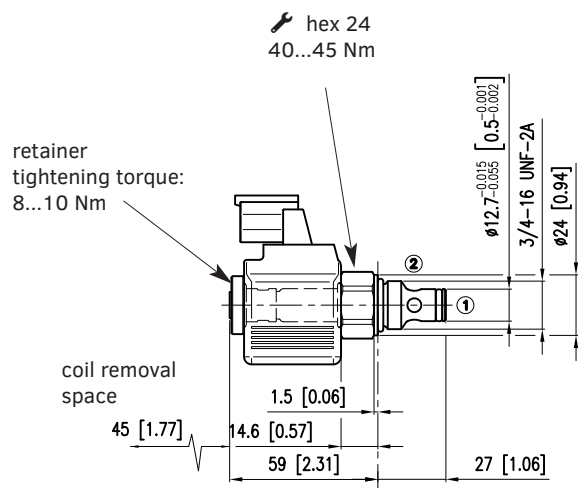
SAE CAVITIES



	KT08	KT10	KT12
cavity	SAE 08-2N	SAE 10-2N	SAE 12-2N
ØA	3/4-16 UNF-2B	7/8-14 UNF-2B	1-1/16 12 UN-2B
ØB	26	30	35
ØC	20.6 <sup>+0.1</sup> <sub>0</sub>	23.9 <sup>+0.1</sup> <sub>0</sub>	29.2 <sup>+0.1</sup> <sub>0</sub>
ØD1	12.7 <sup>+0.05</sup> <sub>0</sub>	15.87 <sup>+0.05</sup> <sub>0</sub>	22.22 <sup>+0.05</sup> <sub>0</sub>
E	2.6 <sup>+0.3</sup> <sub>0</sub>	2.6 <sup>+0.3</sup> <sub>0</sub>	3.3 <sup>+0.3</sup> <sub>0</sub>
F	13	15	20
ØG	9	11.75	18
ØG1 max	12	15	19
H1	14	17.5	25.3
L1	20.5 <sup>±0.3</sup>	25.5 <sup>±0.3</sup>	36.5 <sup>±0.3</sup>
L2	29 <sup>±0.3</sup>	34.5 <sup>±0.3</sup>	48 <sup>±0.3</sup>
M	1.5	1.5	1.6

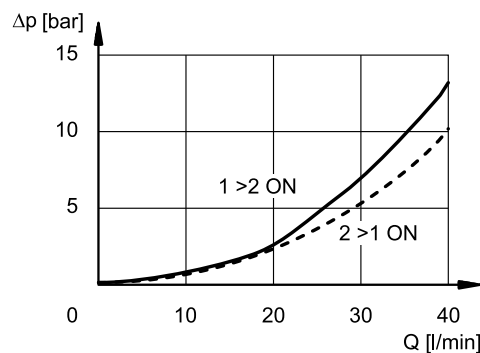
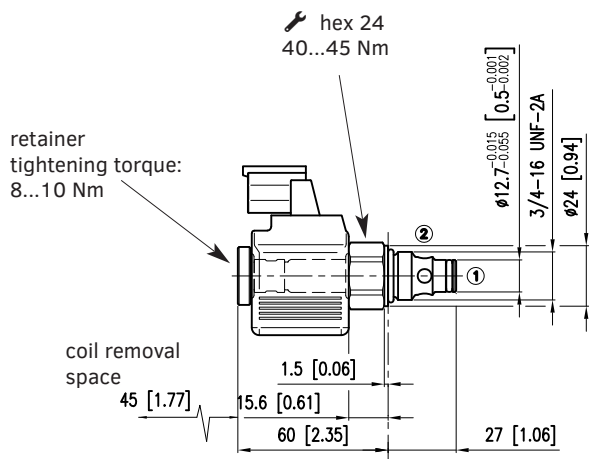
KT08-2SNC

dimensions in mm [in]



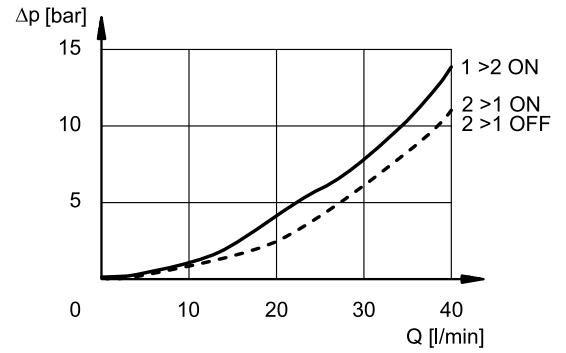
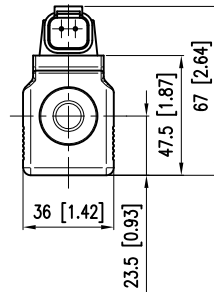
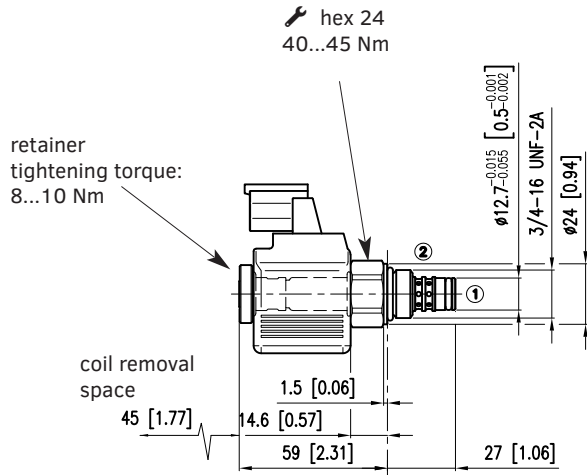
KT08-2DNC

dimensions in mm [in]



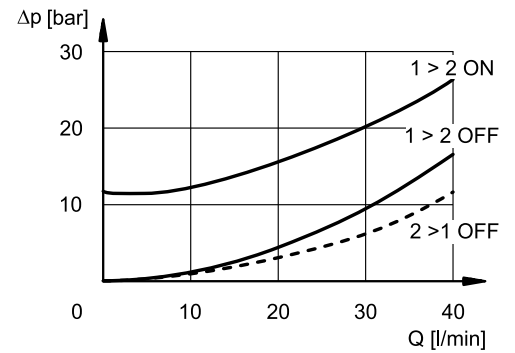
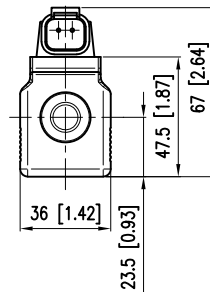
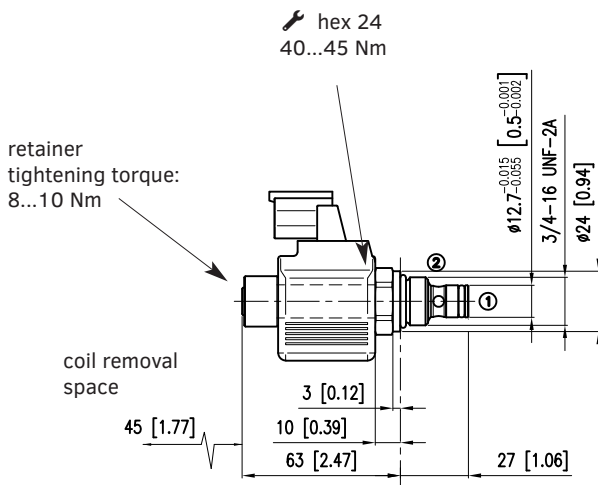
KT08-2RNC

dimensions in mm [in]



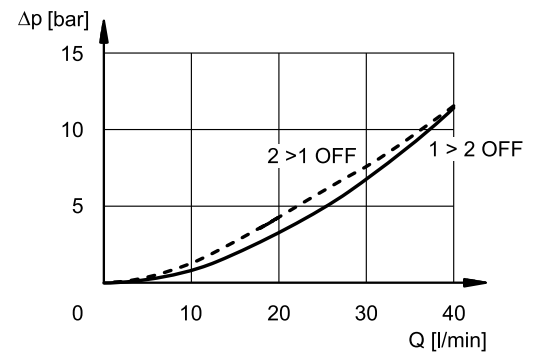
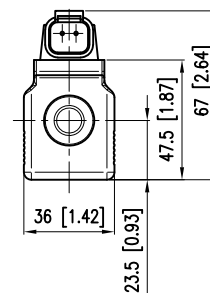
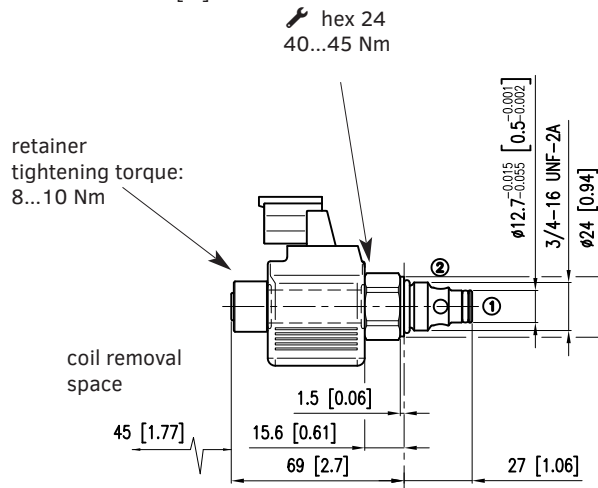
KT08-2SNO

dimensions in mm [in]



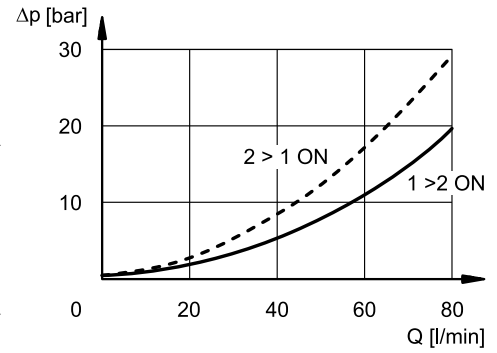
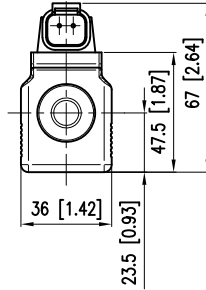
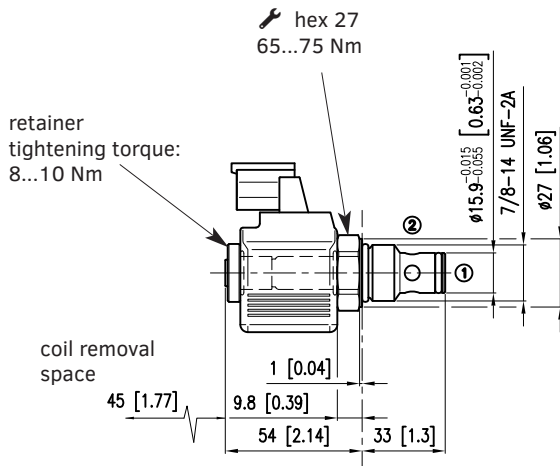
KT08-2DNO

dimensions in mm [in]



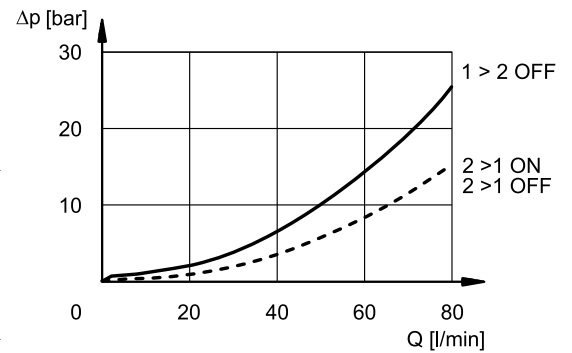
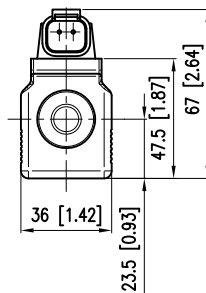
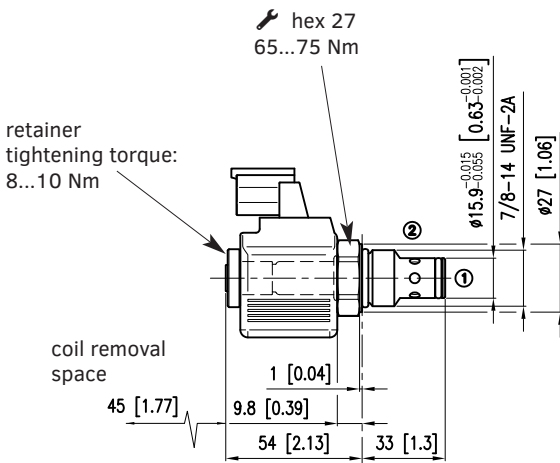
KT10-2SNC

dimensions in mm [in]



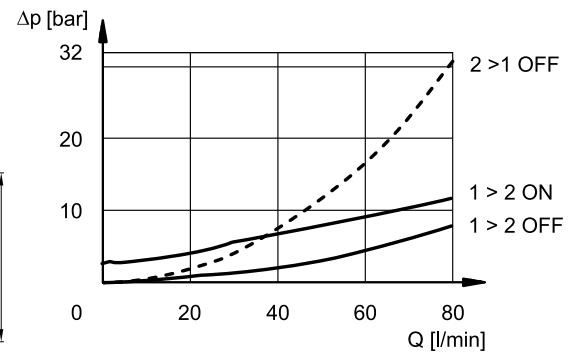
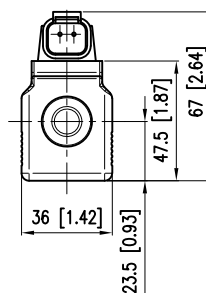
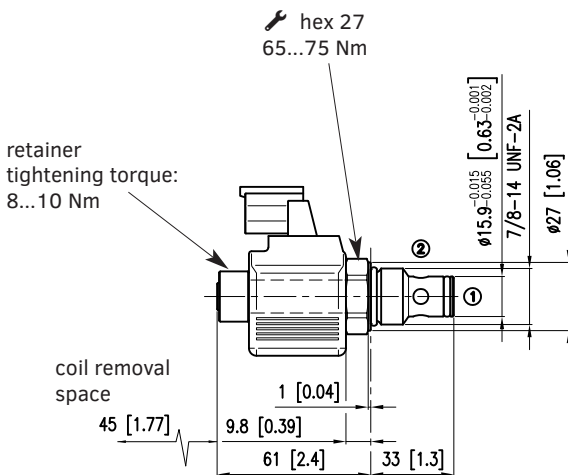
KT10-2RNC

dimensions in mm [in]



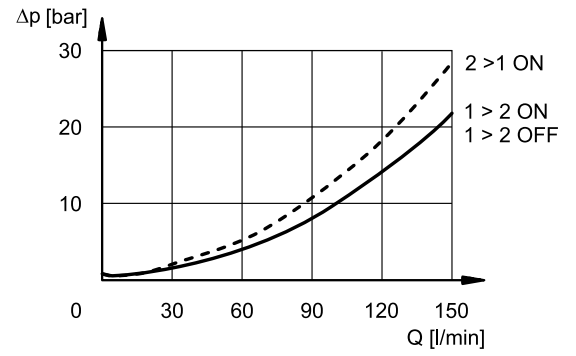
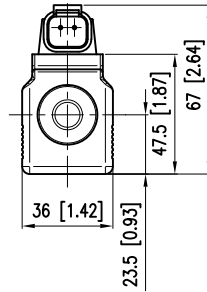
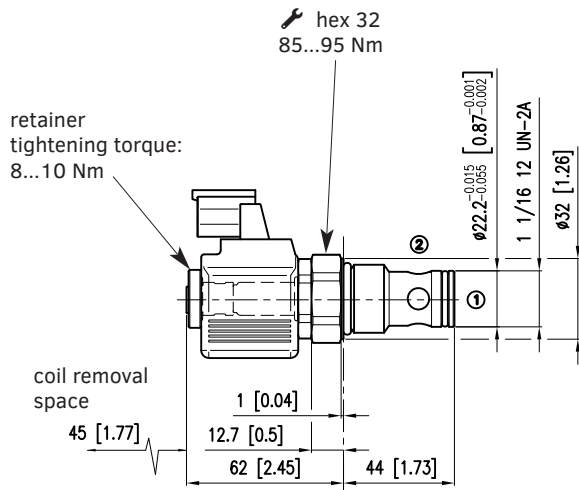
KT10-2SNO

dimensions in mm [in]



KT12-2SNC

dimensions in mm [in]



Solenoid is made up of two parts: tube and coil.

The tube is integrated in the cartridge. The coil is fastened to the tube by a retainer, and can be indexed 360°, to suit the clearance space.

Seals between coil and tube guarantee the IP protection degree.

Contact us to order coils as spare parts.

<b>DUTY CYCLE</b>	100%	
<b>MAXIMUM SWITCH ON FREQUENCY</b>	10,000 cycles/hr	
<b>SUPPLY VOLTAGE FLUCTUATION</b>	±10% Vnom	
<b>ELECTROMAGNETIC COMPATIBILITY (EMC)</b>	2014/30/EU	
<b>LOW VOLTAGE</b>	2014/35/EU	
<b>PROTECTION CLASS FOR INSULATION</b>	copper wire	class H (200 °C)
	coil	class F (155 °C)

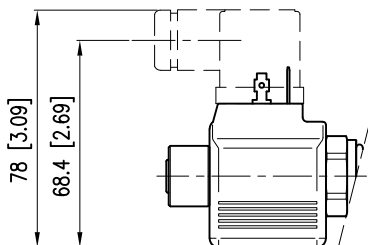
**Electrical data of coils**

	Nominal voltage [V] ± 10%	Resistance at 20°C [Ω] ± 7%	Current consumpt. [A]	Power consumpt [W]
<b>D12</b>	12	6.5	1.84	22
<b>D24</b>	24	26.2	0.92	22

Declared IP degrees are intended according to EMC 2014/30/EU, only for both valve and connectors of an equivalent IP degree, installed properly. Valves with manual override are to be intended IP65 always.

Mating connectors are not included in solenoid valves delivery. Connectors for K1 coils can be ordered separately.

**K1**



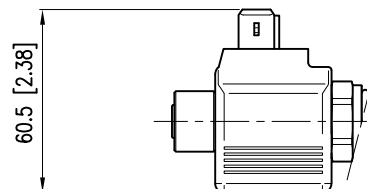
**DIN 43650 (EN 175301-803)**

Mating connectors type ISO 4400 / DIN 43650 (EN 175301-803).

IP degree of electrical connection: IP65

IP degree of whole valve: IP65

**K2**

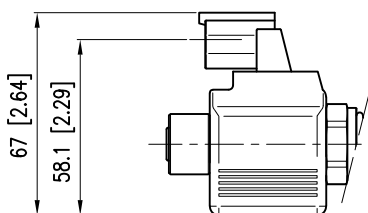


**AMP Junior**

IP degree of electrical connection: IP65/IP67

IP degree of whole valve: IP65

**K7**



**DEUTSCH DT04 MALE**

IP degree of electrical connection: IP65/IP67

IP degree of whole valve: IP65



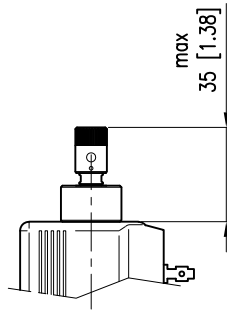
Valves can be delivered with push and twist manual override (K2 code) or without any override (N code).

The override K2 type is activated by pressing and turning the knob (clockwise for NO versions, anticlockwise for NC versions); it is disengaged by pressing and turning the knob again in the opposite direction. A small spring allows the knob to return to its initial position.

The shape is different depending on NC or NO version.

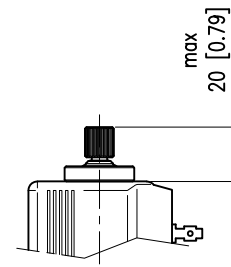
**NO VERSIONS**

Code K2



**NC VERSIONS**

Code K2



Supported by a worldwide network



## CONTACT INFORMATION

### EMEA

<b>GERMANY</b>	Hydreco Hydraulics GmbH, Straelen (NRW)	+49 283494303-41	info-de@hydreco.com
<b>ITALY</b>	Hydreco Hydraulics Italia Srl, Vignola (MO)	+39 059 7700411	sales-it@hydreco.com
<b>ITALY</b>	Hydreco Hydraulics Italia Srl, Parma (PR)	+39 0521 1830520	sales-it@hydreco.com
<b>ITALY</b>	Hydreco Srl, San Cesario S/P (MO)	+39 059 330091	cylinders@hydreco.com
<b>NORWAY</b>	Hydreco Hydraulics Norway AS, Nittedal	+47 22909410	post-no@hydreco.com
<b>UK</b>	Hydreco Hydraulics Ltd, Poole, Dorset	+44 (0) 1202 627500	info-uk@hydreco.com

### AMERICAS

<b>NORTH/LATIN</b>	Hydreco Inc / Continental Hydraulics Inc, Shakopee (MN)	+1 952 895 6400	sales@conthyd.com
--------------------	---	-----------------	-------------------

### APAC

<b>AUSTRALIA</b>	Hydreco Hydraulics Pty Ltd, Seven Hills (NSW)	+61 2 9838 6800	sales-au@hydreco.com
<b>AUSTRALIA</b>	Hydreco Hydraulics Pty Ltd, Welshpool (WA)	+61 8 9377 2211	reception-wa@hydreco.com
<b>INDIA</b>	Hydreco Hydraulics India Private Ltd, Bangalore	+91 80 67656300	sales-in@hydreco.com